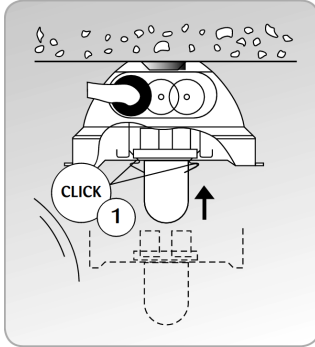




IP + IK Storm Installation Instructions



Step 1

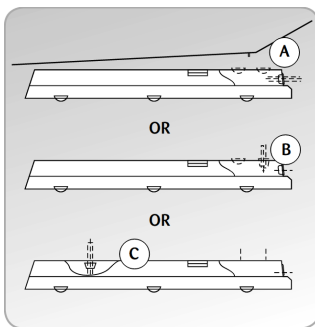


Remove gear tray from body by squeezing locator lugs one pair at a time lift corner.

Step 2

Remove and open bag of components.

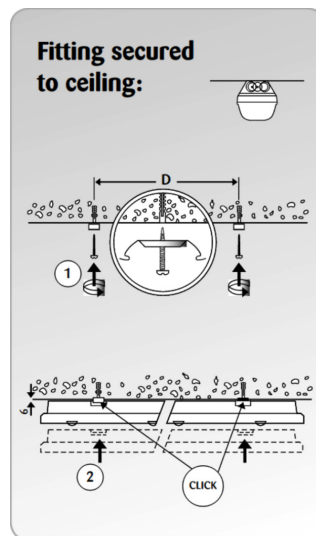
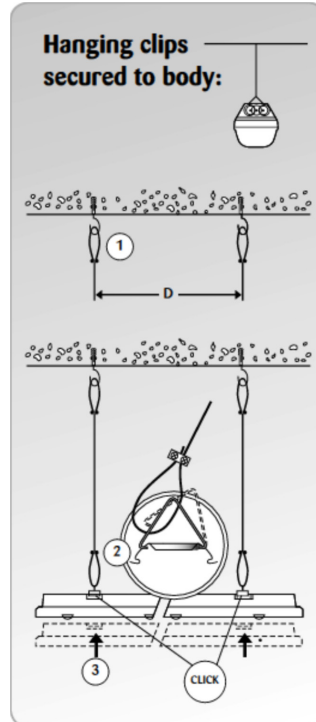
Step 3



Fit water proofing power lead grommet (supplied) into selected body hole and puncture for powerlead. Blank off 'A' with 2nd grommet supplied if hole not used.

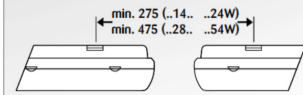
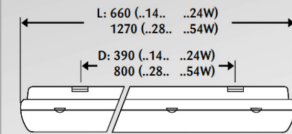
Step 4

Secure hanging clips (supplied) to body or secure fitting to ceiling.



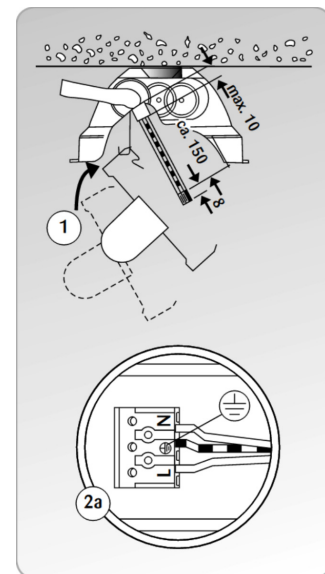
Step 4 (CONT)

Suspension measurements:



Step 5

Feed power lead through grommet and wire into terminal block.



Step 6

Replace gear tray onto body with white side up until locator lugs lock in. Fit diffuser and put clips on.

Setting Up

Detection Area

	1	2	3	Sensitivity
I	●	●	●	100% (default)
II	○	●	○	75Lux
III	○	○	○	50 Lux
IV	○	○	●	30 Lux
V	○	○	○	10 Lux

Switch Off Delay

	4	5	6	Hold Time
I	●	●	●	5s (default)
II	●	○	○	30 s
III	○	○	○	1 min
IV	○	●	●	5 min
V	○	●	○	10 min
VI	○	○	○	20 min
VII	○	○	○	30 min

Threshold Value

	7	8	9	Daylight sensor
I	●	●	●	disable (default)
II	○	●	○	50Lux
III	○	○	○	20 Lux
IV	○	○	●	5 Lux
V	○	○	○	2 Lux