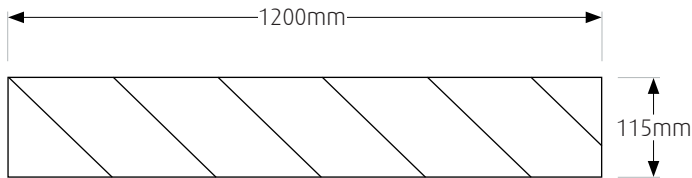




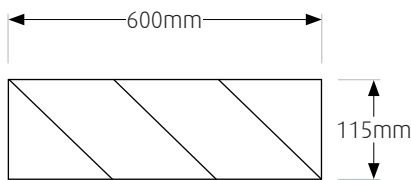
Linear 100 Klean 44 Installation Instructions

Step 1

Mark out and cut rectangular opening in ceiling.
Linear 100 Klean 44 1200:



Linear 100 Klean 44 600:



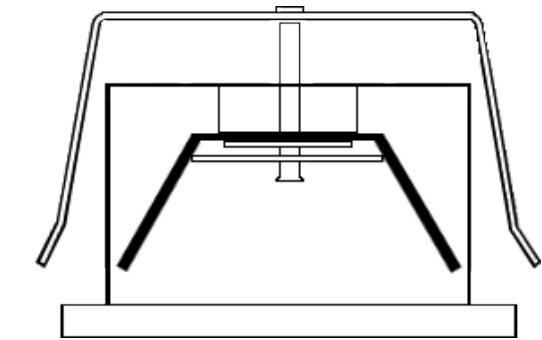
Step 2

Lift off frame c/w diffuser by pulling down to reveal 6 x torsion springs. Squeeze springs together to remove from slots. Remove cover plate assembly.



Step 3

Attach plaster mounting brackets by placing bracket screw through 6mm hole in body. Locate screw clinch nut on bracket and "only just start the thread". Repeat on other end of fitting.



Step 4

Plug flex into power.

Step 5

Place fitting in ceiling by tilting on angle and placing one side of brackets in opening so they sit on top of the plaster. Then push bracket screw up to get remaining side in opening. Tighten both screws until fitting is flush with ceiling.

Step 6

Refit cover plate assembly. Secure the frame by squeezing springs and placing through slots on body (x6). Once all springs are into place, push frame up until it locks into place.