

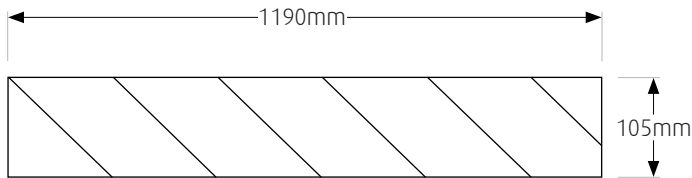


Linear 100 Wall Washer Plaster Recess Installation Instructions

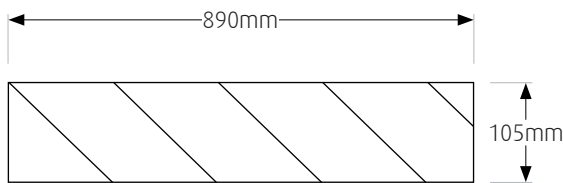


Step 1

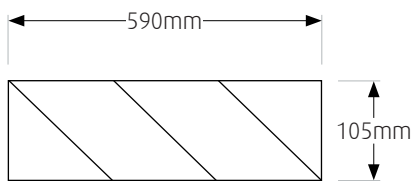
Mark out and cut rectangular opening in ceiling.
Linear 100 Plaster Recess 1200:



Linear 100 Plaster Recess 900:

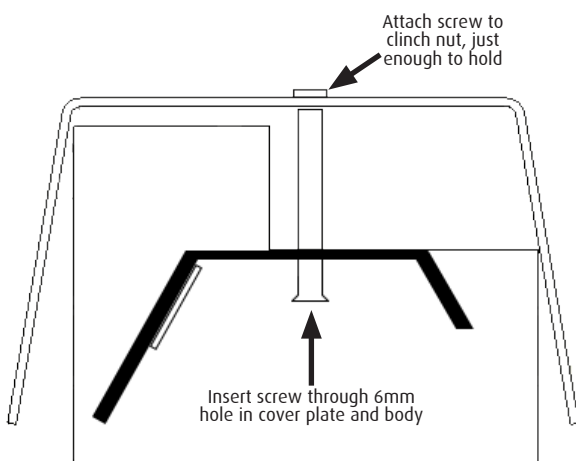


Linear 100 Plaster Recess 600:



Step 2

Attach plaster mounting bracket by placing bracket screw through 6mm hole in inner diffuser, cover plate and body. Locate screw to clinch nut on bracket and "only just start the thread". Repeat on other end of fitting.



Step 3

Plug flex into plug base.

Step 4

Place fitting in opening. With screwdriver push screw and bracket into ceiling till bracket is above plaster. Then screw both tight to the ceiling.

Step 5

LO Diffuser

Place diffuser in light fitting with smooth side facing the LED's.

Note

900 and 600 Only:

To attach mounting bracket (step 2) remove cover plate assembly first and place bracket screw through 6mm hole (dimple) in body. Locate screw to clinch nut on bracket and "only just start the thread" Repeat on other end of fitting.

Once screwed tight in the ceiling refit cover plate assembly and place diffuser/diffusers in fitting (refer to step 5).

Position fitting 1/3 of the mounting height away from the wall.

