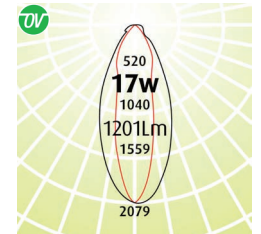
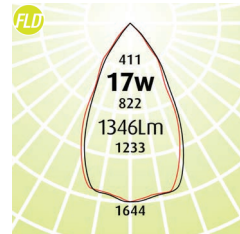
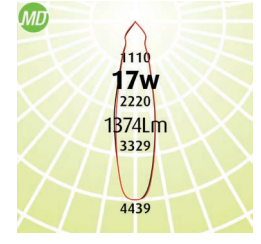
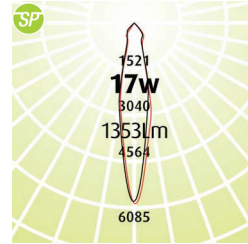


On Track **The Jet**

- A dynamic small factor form inspired by the beautiful lines of jet engines
- Heat sink thrusts from the body in response to its inspiration
- LED Outputs and LED Lamp Colours options available
- 3 beam angles with the reflector options and added distribution with the clip on oval lens
- Dali Dimming to 5%
- 90+ CRI
- 3D printed housing available in black or white (Black [B], White [W])
- Luminaire lifetime L80/B10 51,000hours
- MacAdams 3 SDCM
- 2 metre length 3 wire single circuit track complete with dead ends
- Connected Load 14.30

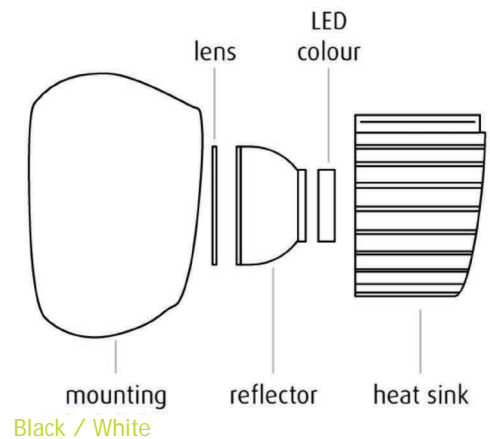
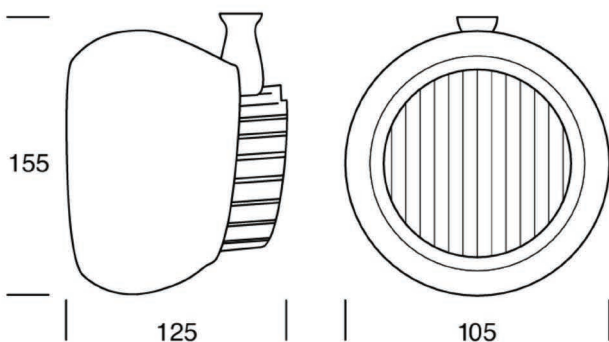
Eg Code OT-J-SP-17w-4K-B



Code	Absolute Lumens
OT - J - SP - 17w - (2.7 or 3 or 4K) - (B or W)	1353Lm
OT - J - MD - 17w - (2.7 or 3 or 4K) - (B or W)	1374Lm
OT - J - FLD - 17w - (2.7 or 3 or 4K) - (B or W)	1346Lm
OT - J - DV - 17w - (2.7 or 3 or 4K) - (B or W)	1201Lm

LED PRODUCT LEGEND

OT	J	SP	17W	4K	B
RANGE	MOUNTING	LENS	SYSTEM WATTS	LED COLOUR	BODY COLOUR



Standard Version