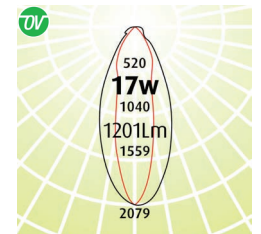
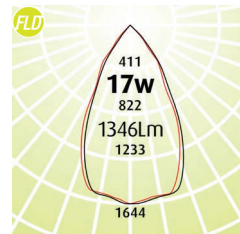
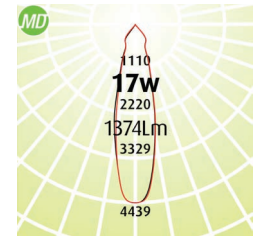
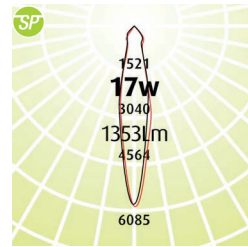




On Track **The Lantern**

- A delicate form that can sit well into any environment with a sophisticated edge
- A form unachievable by any means other than 3D printed
- LED Outputs and LED Lamp Colours options available
- 3 beam angles with the reflector options and added distribution with the clip on oval lens
- Dali Dimming to 5%
- 90+ CRI
- 3D printed housing available in black or white (Black [B], White [W])
- Luminaire lifetime L80/B10 51,000hours
- MacAdams 3 SDCM
- 2 metre length 3 wire single circuit track complete with dead ends
- Connected Load 14.30

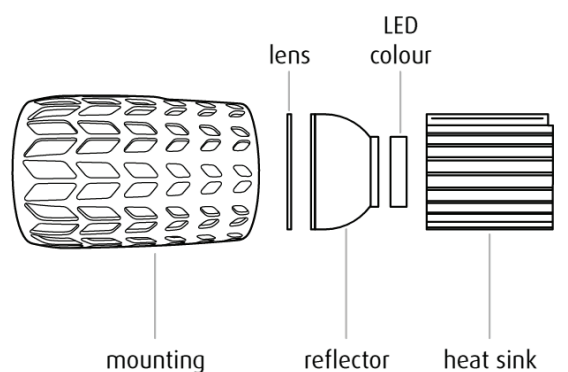
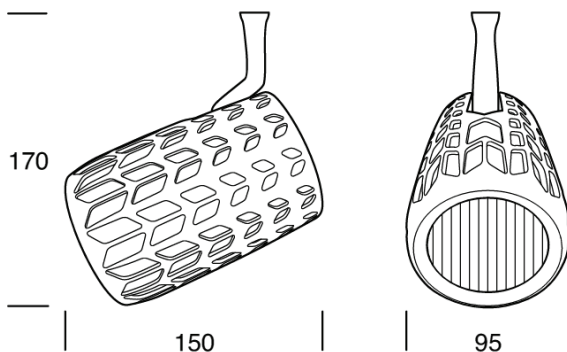
Eg Code OT-L-SP-17w-4K-B



Code	Absolute Lumens
OT - L - SP - 17w - (2.7 or 3 or 4K) - (B or W)	1353Lm
OT - L - MD - 17w - (2.7 or 3 or 4K) - (B or W)	1374Lm
OT - L - FLD - 17w - (2.7 or 3 or 4K) - (B or W)	1346Lm
OT - L - TV - 17w - (2.7 or 3 or 4K) - (B or W)	1201Lm

LED PRODUCT LEGEND

OT	L	SP	17W	4K	B
RANGE	MOUNTING	LENS	SYSTEM WATTS	LED COLOUR	BODY COLOUR



Black / White

Standard Version