

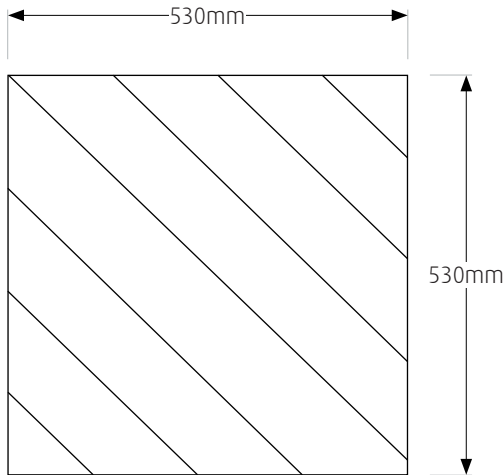


Square 600 Plaster Recess Installation Instructions



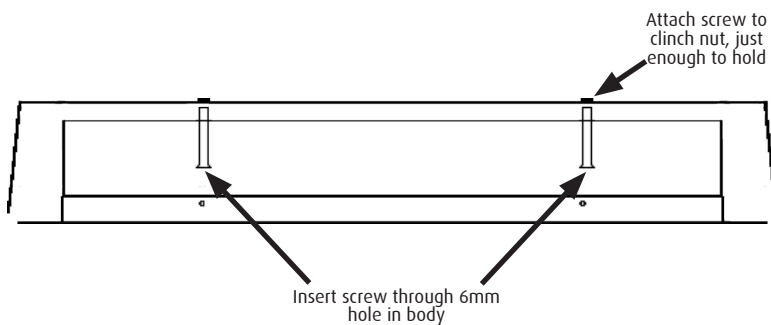
Step 1

Mark out and cut square opening in ceiling.
Square 600 ceiling cut out:



Step 2

Attach plaster mounting bracket by placing bracket screw through 6mm hole in body. Locate screw to clinch nut on bracket and "only just start the thread". Repeat on other end of fitting.



Step 3

Plug flex into plug base.

Step 4

Place fitting in opening. With screwdriver push screw and bracket into ceiling until bracket is above plaster. Then screw both tight to the ceiling.

Step 5

LO Diffuser

Fit diffuser with smooth side facing the LED's by pushing in one corner at a time until it sits flush in frame.

XLG Diffuser

Fit first diffuser (Lumieo) with polished side facing the LED's by pushing in one corner at a time until it sits flush in frame. Repeat process with second diffuser (CDP). Smooth side facing in.