

Square SQ 600 Plaster

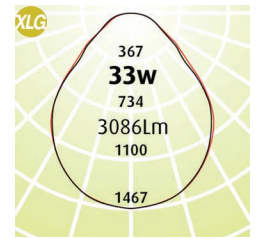
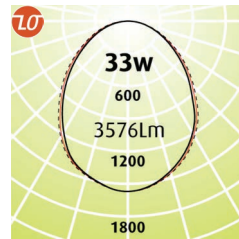


- Square 600 Plaster is a recessed Luminaire, suitable for a plaster ceiling with a textured white frame
- Supplied with a 2m flex and plug for quick and easy installation
- Air Handling available on two or four sides which can still incorporate Sensors or Emergency or both in the design
- Selection of optics throughout the range
- LED Outputs and LED Lamp Colour options available
- XLG Diffuser UGRmax: 19
- Luminaire lifetime L80/B10 >50,000hours
- MacAdams 3 SDCM

Options

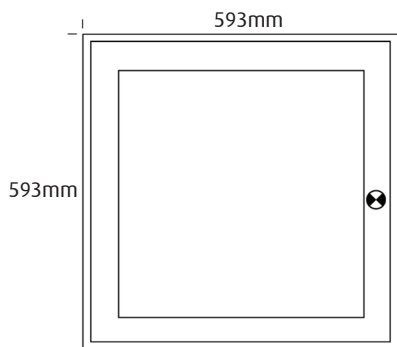
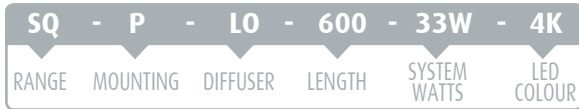
- Ultra Dim (Extra Low Dimming to 0.1%)
- Dim (Dali Dimming to 1%)
- EM-LED (LED Emergency) c0 D16 / c90 D16
- EM-LED-EDALI (Monitored option) c90 D16
- LSL-R (LSL 10a Relay)
- LSL-SS (LSL with Switch Dim)
- LSL-SS30 (LSL with Switch Dim and 30 Minute Turn Off)
- AH (Air Handling)

Eg Code SQ-P-LO-600-33W-4K

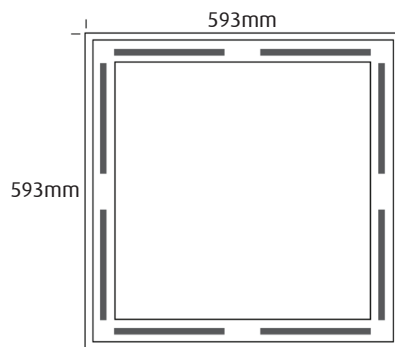


Code	Absolute Lumens	Depth	Plaster Cut Out
SQ - P - LO - 600 - 33W - (3 or 4K)	4K 3576Lm	A 86	L x W 530 x 530
SQ - P - XLG - 600 - 33W - (3 or 4K)	3086Lm	86	530 x 530
SQ - P - FL - 600 - 33W - (3 or 4K)	3144Lm	86	530 x 530

LED PRODUCT LEGEND



Standard Frame with EM or Sensor Option



Air Handling Option (2 or 4 sides)

