

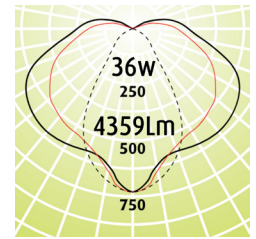
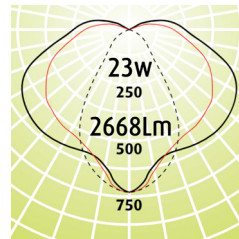
IP + IK Storm LED Microwave Sensor



- The Storm LED IP66 Wide145 can be Surface Mounted on the wall and/or Suspended from the ceiling
- Maximum installation height: 5m
- Wire Suspension available
- Storm is suitable for Carparks, Cool Rooms and any place that a weatherproof luminaire is required
- LED Outputs and LED Lamp Colour options available
- IP66
- IK08
- Not recommended for open rooftops
- Luminaire lifetime L80/B10 >60,000hours
- MacAdams 3 SDCM
- Ta: - 5°C to 35°C

Options

- Dim (Dali Dimming to 1%)
- WS (3m Wire Suspension Kit)



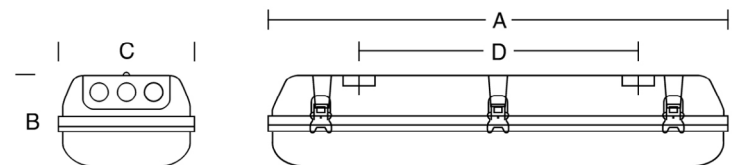
Eg Code STM-SM-1200-23w-4K-MSW145



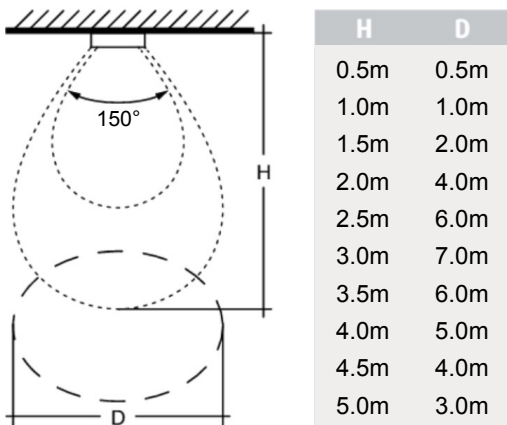
Code	Absolute Lumens		Dimensions			
	4K		A	B	C	D
STM - SM - 1200 - 23w - (2.7 or 3 or 4K) - W145	2668Lm		1277	101	145	800
STM - SM - 1200 - 36w - (2.7 or 3 or 4K) - W145	4359Lm		1277	101	145	800

LED PRODUCT LEGEND

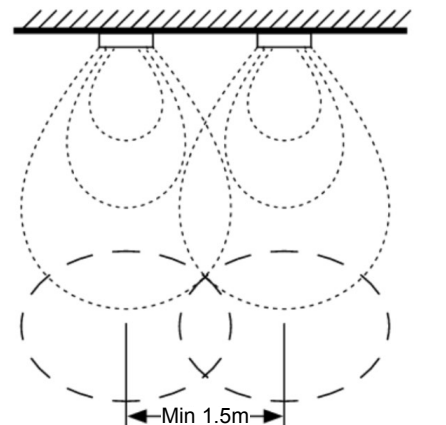
STM - SM - 1200 - 23W - 4K - MSW145					
RANGE	MOUNTING	LENGTH	SYSTEM WATTS	LED COLOUR	Extension



Standard Version



Motion Detection



Min spacing for further sensors

Setting Up			
Detection Area			
	1	2	3
I	•	•	•
II	•	•	•
III	•	•	•
IV	•	•	•
V	•	•	•
	1	2	3
Sensitivity	100% (default)	75Lux	50 Lux
	30 Lux	10 Lux	
Switch Off Delay			
	4	5	6
I	•	•	•
II	•	•	•
III	•	•	•
IV	•	•	•
V	•	•	•
VI	•	•	•
VII	•	•	•
	4	5	6
Hold Time	5s (default)	30 s	1 min
	5 min	10 min	20 min
	30 min		
Threshold Value			
	7	8	9
I	•	•	•
II	•	•	•
III	•	•	•
IV	•	•	•
V	•	•	•
	7	8	9
Daylight sensor	disable (default)	50Lux	20 Lux
	5 Lux	2 Lux	