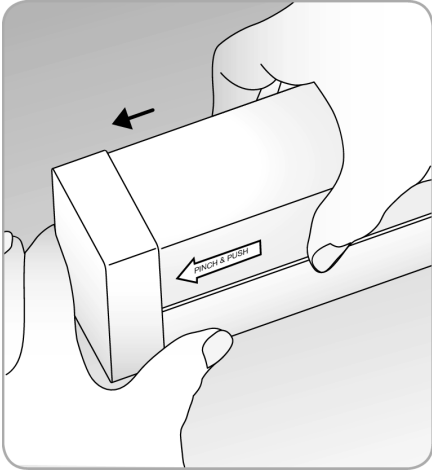


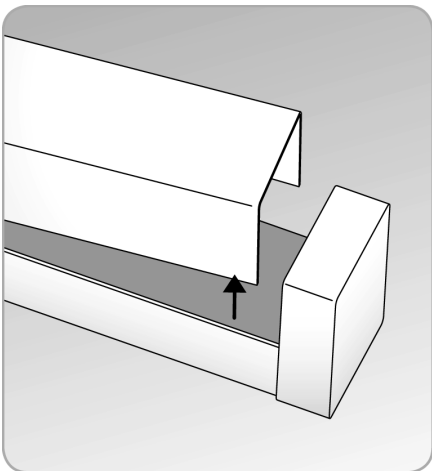


Surface Mount **BlockLED** Installation Instructions

Step 1



To remove the diffuser “pinch and push” the end marked with the arrow and push further into end. Pinch and push until the other end of the diffuser pops out.



Lift up diffuser at opposite end.

Step 2

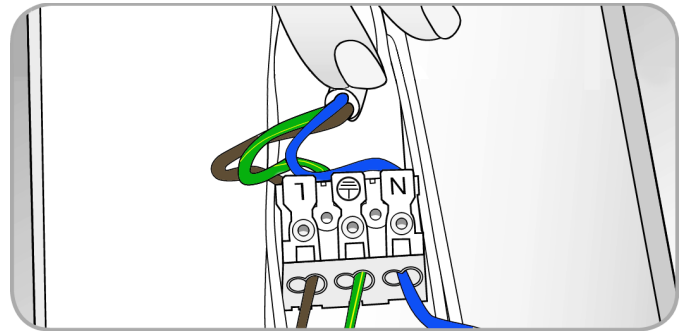
Remove cover plate assembly.

Step 3

Secure light fitting to ceiling through mounting holes.

Step 4

Hard wire into terminal block.

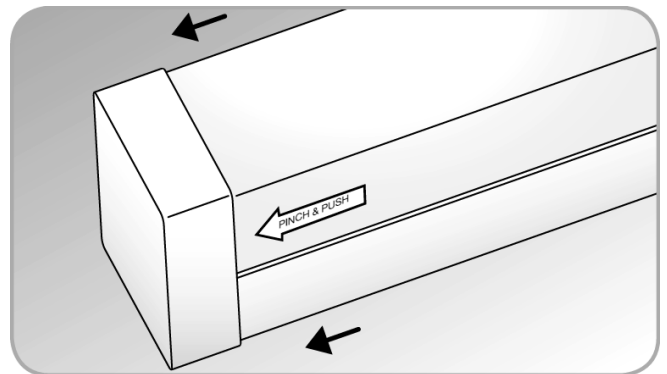


Step 5

Secure cover plate assembly, tuck wires under plate.

Step 6

Pinch and push “Shotgun load”.
Place diffuser at one end “pinch and push” to clear inside end cap lugs in the direction of arrows.



Step 7

Once diffuser fits into other end cap gently feed diffuser along so it has a little play within both ends.