

2B hung **Archer**



- Strong, bold presence. This progressive 3D printed design displays its contemporary nature, from its beautiful pear shape curves and arrow feather like cutouts
- Multiple LED lamp colour options available
- Multiple diffuser options available
- Dali Dimming to 5%
- 90+ CRI
- Ceiling mounted or track mounted options
- 3D printed housing available in black or white (Black [B], White [W])
- Luminaire lifetime L80/B10 51,000hours
- MacAdams 3 SDCM

Eg Code P-A-12w-CM-CB-ND-4K-B

Code

P - A - 12W - (CM or TM) - (CB or CW) - ND - (2.7 or 3 or 4K) - (B or W)

P - A - 12W - (CM or TM) - (CB or CW) - PD - (2.7 or 3 or 4K) - (B or W)

P - A - 12W - (CM or TM) - (CB or CW) - D - (2.7 or 3 or 4K) - (B or W)

Absolute Lumens

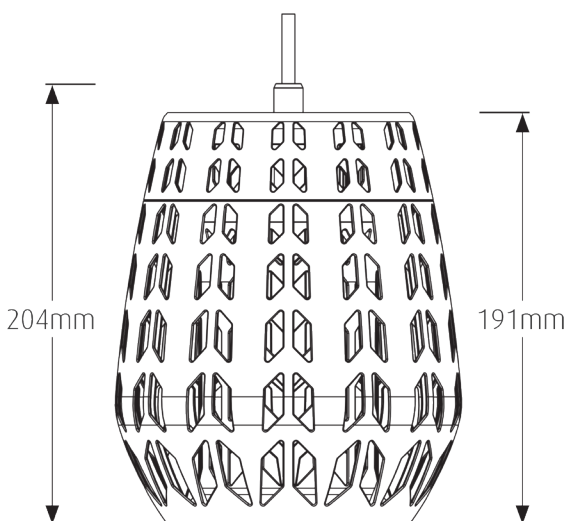
1600Lm (Lamp lumens)

1600Lm (Lamp lumens)

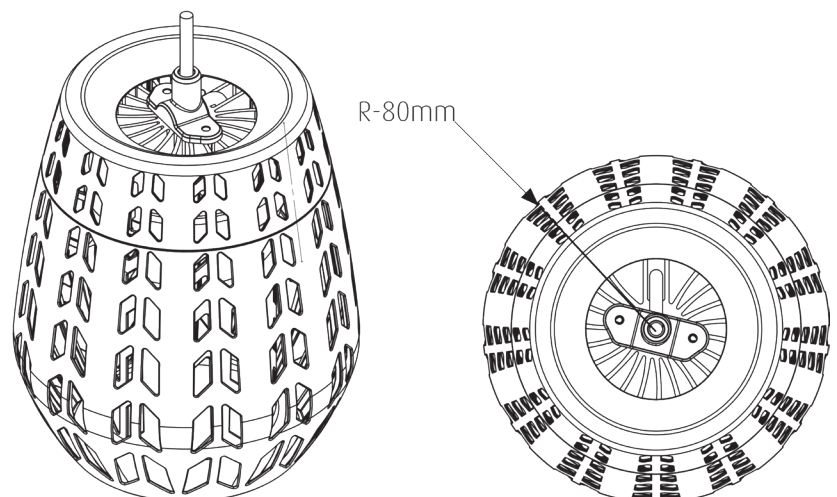
1600Lm (Lamp lumens)

LED PRODUCT LEGEND

P	-	A	-	12W	-	CM	-	CB	-	ND	-	4K	-	B
RANGE		PRODUCT		WATTAGE		MOUNTING		CORD COLOUR		DIFFUSER		LED COLOUR		BODY COLOUR



Standard Version



Black / White