

2B hung Lantern



- Small in stature, immense aesthetic appearance
- This modern design, highlights the complexity of forms produced by the means of 3D printing, while lighting the space with high quality illumination
- Multiple LED lamp colour options available
- Multiple diffuser options available
- Dali Dimming to 5%
- 90+ CRI
- Ceiling mounted or track mounted options
- 3D printed housing available in black or white (Black [B], White [W])
- Luminaire lifetime L80/B10 51,000hours
- MacAdams 3 SDCM

Eg Code P-L-12w-CM-CB-D-3K-B

Code

P - L - 12W - (CM or TM) - (CB or CW) - ND - (2.7 or 3 or 4K) - (B or W)

P - L - 12W - (CM or TM) - (CB or CW) - PD - (2.7 or 3 or 4K) - (B or W)

P - L - 12W - (CM or TM) - (CB or CW) - D - (2.7 or 3 or 4K) - (B or W)

Absolute Lumens

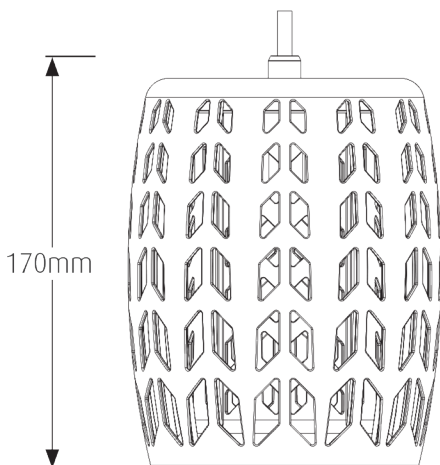
1600Lm (Lamp lumens)

1600Lm (Lamp lumens)

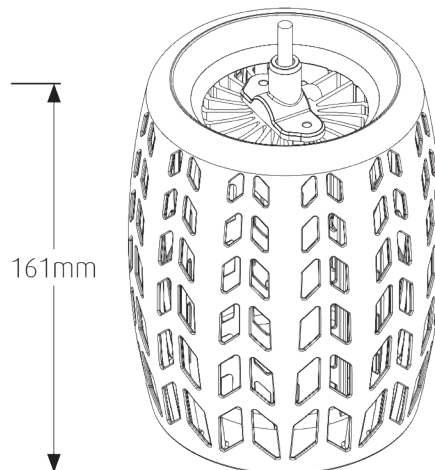
1600Lm (Lamp lumens)

LED PRODUCT LEGEND

P	-	L	-	12W	-	CM	-	CB	-	D	-	3K	-	B
RANGE		PRODUCT		WATTAGE		MOUNTING		CORD COLOUR		DIFFUSER		LED COLOUR		BODY COLOUR



Standard Version



Black / White

