

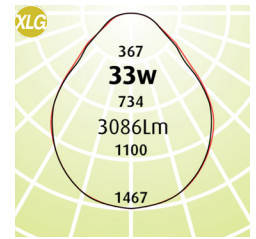
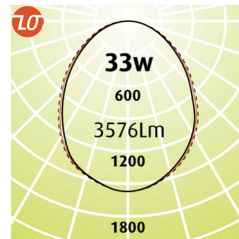
Square SQ 600 Plaster

- Square 600 Plaster is a recessed Luminaire, suitable for a plaster ceiling with a textured white frame
- Supplied with a 2m flex and plug for quick and easy installation
- Air Handling available on two or four sides which can still incorporate Sensors or Emergency or both in the design
- Selection of optics throughout the range
- LED Outputs and LED Lamp Colour options available
- XLG Diffuser UGRmax: 19
- Luminaire lifetime L80/B10 >50,000hours
- MacAdams 3 SDCM

Options

- Ultra Dim (Extra Low Dimming to 0.1%)
- Dim (Dali Dimming to 1%)
- EM-LED (LED Emergency) c0 D20 / c90 D20
- EM-LED-EDALI (Monitored option) c90 D20
- LSL (LimeLite Sensor Light)
- AH (Air Handling)

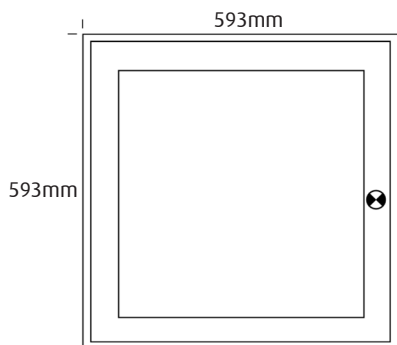
Eg Code SQ-P-LO-600-33W-4K



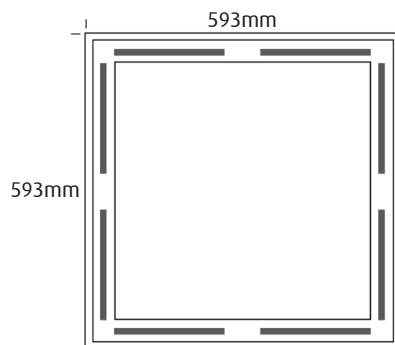
| Code | Absolute Lumens | Depth | Plaster Cut Out |
|---|-----------------|-------|-----------------|
| SQ - P - LO - 600 - 33W - (3 or 4K) | 3576Lm | 86 | 530 x 530 |
| SQ - P - XLG - 600 - 33W - (3 or 4K) | 3086Lm | 86 | 530 x 530 |
| SQ - P - FL - 600 - 33W - (3 or 4K) | 3144Lm | 86 | 530 x 530 |

LED PRODUCT LEGEND

| | | | | | |
|-----------|------------|-------------|--------------|--------------|-------------|
| SQ | - P | - LO | - 600 | - 33W | - 4K |
| RANGE | MOUNTING | DIFFUSER | LENGTH | SYSTEM WATTS | LED COLOUR |



Standard Frame with EM or Sensor Option



Air Handling Option (2 or 4 sides)

