

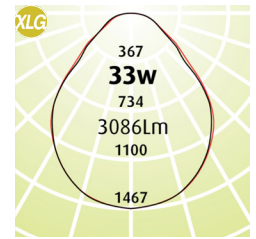
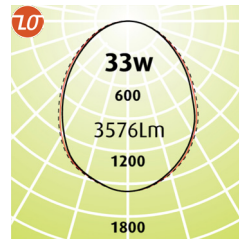
# Square SQ 600 Tee-Bar

- Square 600 Tee-Bar is designed to fit perfectly in a tee-bar ceiling 600mm wide
- Supplied with a 2m flex and plug for quick and easy installation
- Air Handling available on two or four sides which can still incorporate Sensors or Emergency or both in the design
- Selection of optics throughout the range
- LED Outputs and LED Lamp Colour options available
- XLG Diffuser UGRmax: 19
- Luminaire lifetime L80/B10 >50,000hours
- MacAdams 3 SDCM

### Options

- Ultra Dim (Extra Low Dimming to 0.1%)
- Dim (Dali Dimming to 1%)
- EM-LED (LED Emergency) c0 D20 / c90 D20
- EM-LED-EDALI (Monitored option) c90 D20
- LSL (LimeLite Sensor Light)
- AH (Air Handling)

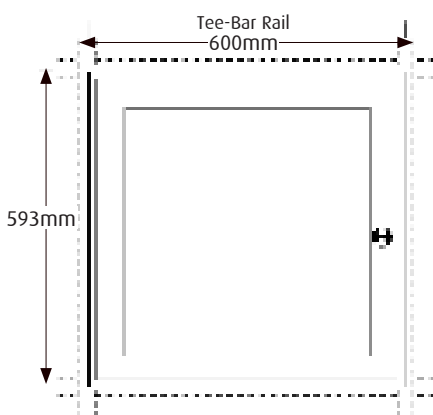
Eg Code SQ-T-LO-600-33w-4K



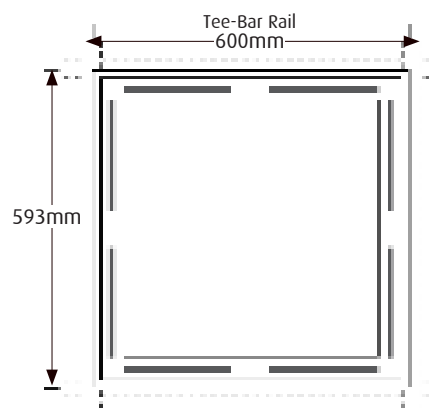
| Code  | Absolute Lumens | Depth |
|---|-----------------|-------|
| SQ - T - <b>LO</b> - 600 - 33W - (3 or 4K)  | 3576Lm          | 86    |
| SQ - T - <b>XLG</b> - 600 - 33W - (3 or 4K) | 3086Lm          | 86    |
| SQ - T - <b>FL</b> - 600 - 33W - (3 or 4K)  | 3144Lm          | 86    |

### LED PRODUCT LEGEND

|           |              |           |                |              |            |
|-----------|--------------|-----------|----------------|--------------|------------|
| <b>SQ</b> | <b>- T -</b> | <b>LO</b> | <b>- 600 -</b> | <b>33W -</b> | <b>4K</b>  |
| RANGE     | MOUNTING     | DIFFUSER  | LENGTH         | SYSTEM WATTS | LED COLOUR |



**Standard Frame with EM or Sensor Option**



**Air Handling Option (2 or 4 sides)**

