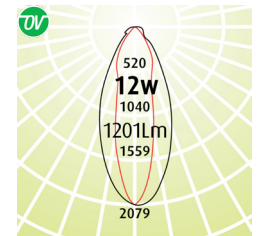
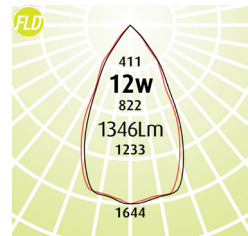
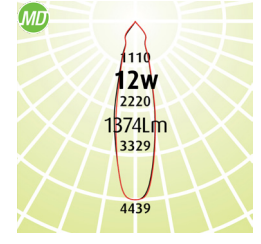
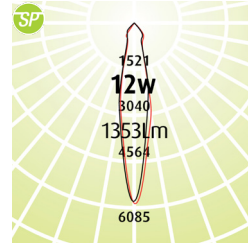




On Track **The Flash**

- Short 3D printed cylinder head allows the heatsink to protrude out the back, while the stem is fixed securely to the back of the heatsink allowing for a 90° tilt.
- 3 Colours temperatures available
- 3 beam angles (Spot [SP], Medium [MD], Flood [FLD]) available with an added distribution from the clip on oval lens
- Dali Dimming to 5%
- 90+ CRI
- 3D printed housing available in black or white (Black [B], White [W])
- Luminaire lifetime L80/B10 51,000hours
- MacAdams 3 SDCM
- 2 metre length 3 wire single circuit track complete with dead ends

Eg Code OT-F-SP-12w-4K-B

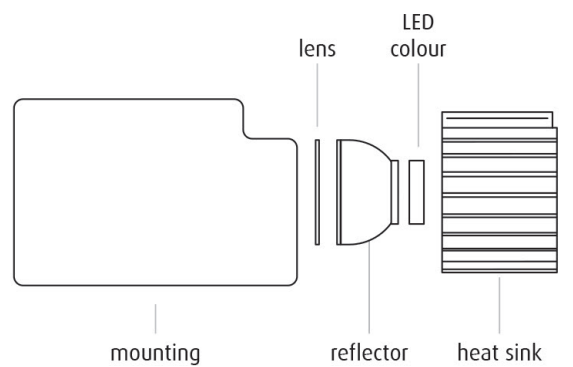
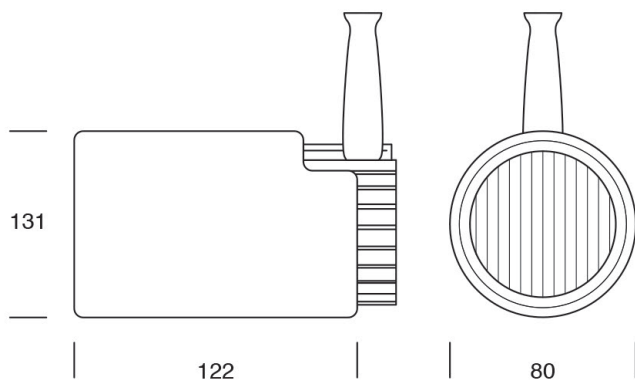


Code	Absolute Lumens
OT - F - SP - 12w - (2.7 or 3 or 4K) - (B or W)	1353Lm
OT - F - MD - 12w - (2.7 or 3 or 4K) - (B or W)	1374Lm
OT - F - FLD - 12w - (2.7 or 3 or 4K) - (B or W)	1346Lm
OT - F - TV - 12w - (2.7 or 3 or 4K) - (B or W)	1201Lm



LED PRODUCT LEGEND

OT	F	SP	12W	4K	B
RANGE	MOUNTING	LENS	SYSTEM WATTS	LED COLOUR	BODY COLOUR



Standard Version

Black / White