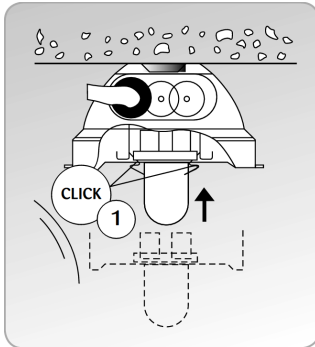




IP + IK Storm Installation Instructions



Step 1

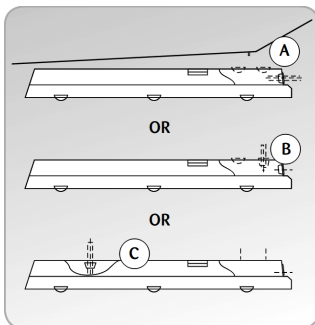


Remove gear tray from body by squeezing locator lugs one pair at a time lift corner.

Step 2

Remove and open bag of components.

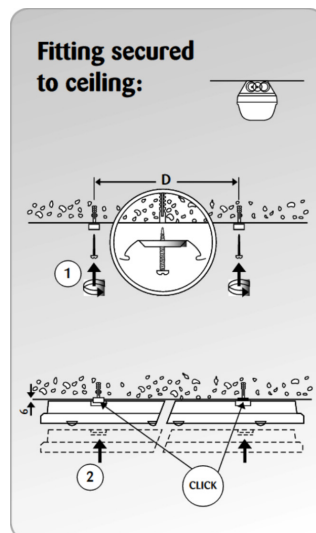
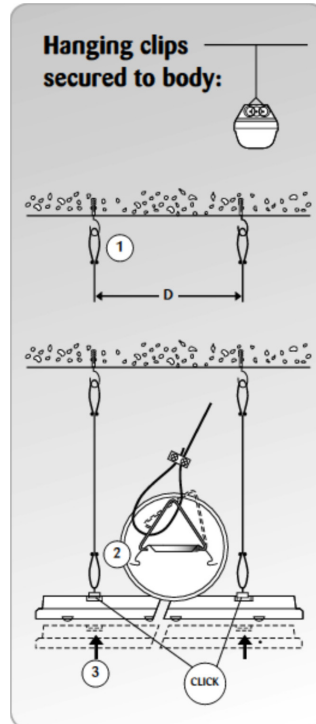
Step 3



Fit water proofing power lead grommet (supplied) into selected body hole and puncture for powerlead. Blank off 'A' with 2nd grommet supplied if hole not used.

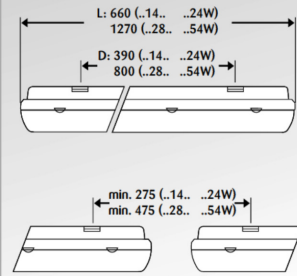
Step 4

Secure hanging clips (supplied) to body or secure fitting to ceiling.



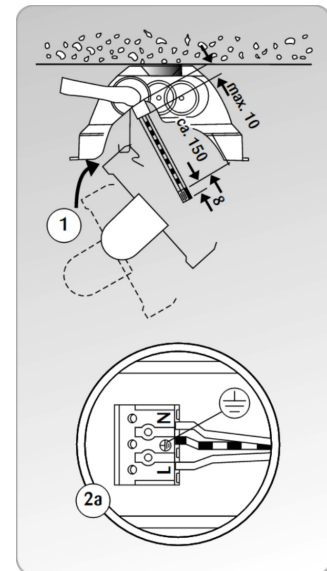
Step 4 (CONT)

Suspension measurements:



Step 5

Feed power lead through grommet and wire into terminal block.



Step 6

Replace gear tray onto body with white side up until locator lugs lock in.

Step 7

Fit diffuser and put clips on.