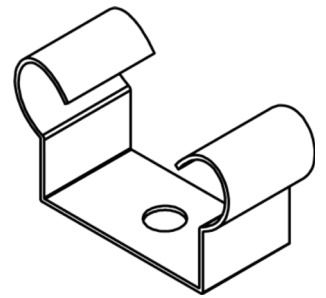



## What?

UniStrut channels and fittings offer total flexibility in design and construction of assemblies for lighting applications. All Surface Mounted\* luminaires can be attached to unistrut channels by the addition of UniStrut Clips (USC).



### \*Suitable Luminaires include:

- Lin100 Surface Mount
- Wedge Surface Mount
- Wall Washer Surface Mount
- BlockLED
- Schoolies
- Storm Range

Any luminaire with the  icon, is suitable for UniStrut.

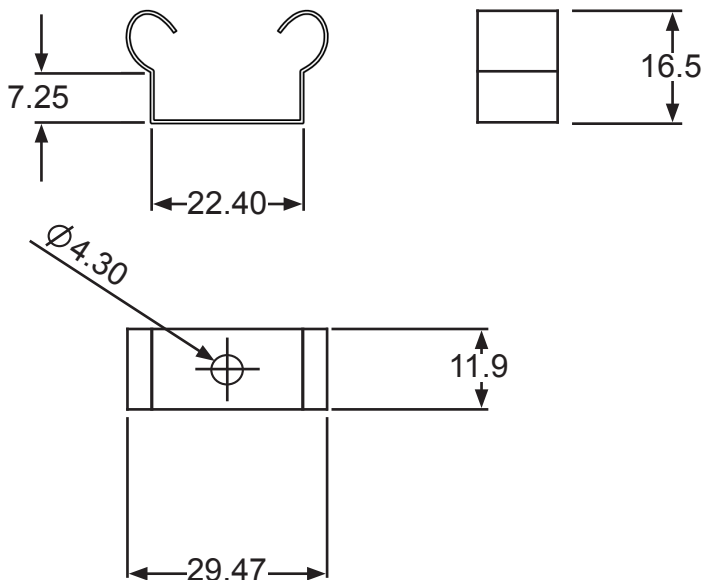


## Why?

UniStrut is generally used for the support of electrical or plumbing products (such as cable tray/ladder, lighting rigs, or pipe clamps), but it also has a wide range of other uses for installing just about anything. UniStrut is a universal system that offers a simple installation solution.

## Dimensions

### UniStrut Clip Dimensions



### UniStrut Dimensions

