

2B hung **Geo**



- The Geo Pendant is inspired by the interplay of shadows and contrasting forms
- The Geometric pattern with cutouts can only be achieved by the means of 3D printing and will cast either a rigid geometric or broken faceted shadow depending on its configuration
- Multiple LED lamp colour options available
- Multiple diffuser options available
- DALI Dimming to 5%
- 90+ CRI
- Ceiling mounted or track mounted options
- 3D printed housing available in black or white (Black [B], White [W])
- Luminaire lifetime L80/B10 51,000hours
- MacAdams 3 SDCM

Eg Code P-G-12W-CM-CB-ND-3K-B

Code

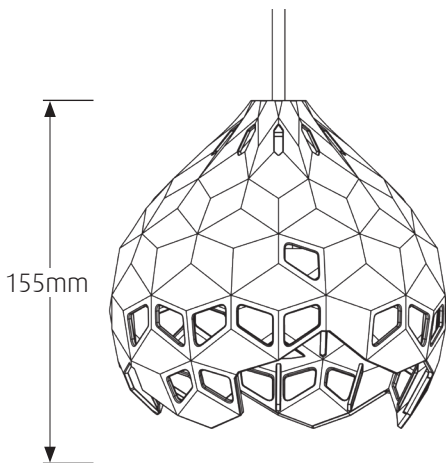
P - G - 12W - (CM or TM) - (CB or CW) - ND - (2.7 or 3 or 4K) - (B or W)
 P - G - 12W - (CM or TM) - (CB or CW) - PD - (2.7 or 3 or 4K) - (B or W)
 P - G - 12W - (CM or TM) - (CB or CW) - D - (2.7 or 3 or 4K) - (B or W)

Absolute Lumens

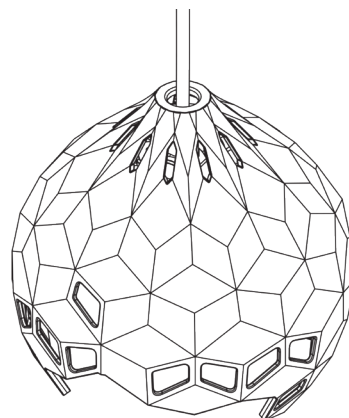
1600lm (Lamp lumens)
 1600lm (Lamp lumens)
 1600lm (Lamp lumens)

LED PRODUCT LEGEND

P	-	G	-	12W	-	CM	-	CB	-	ND	-	3K	-	B
RANGE		PRODUCT		WATTAGE		MOUNTING		CORD COLOUR		DIFFUSER		LED COLOUR		BODY COLOUR



Standard Version



Black / White

