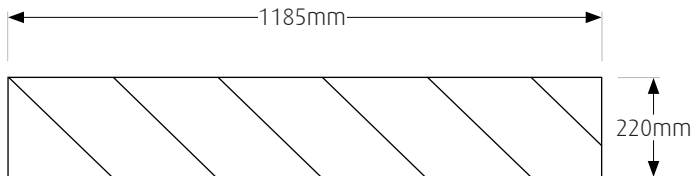




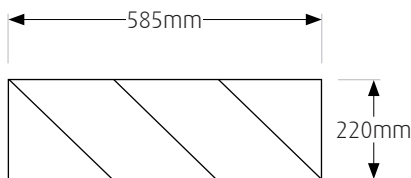
Linear 300 Plaster Recess Installation Instructions

Step 1

Mark out and cut rectangular opening in ceiling.
Linear 300 Plaster Recess 1200:

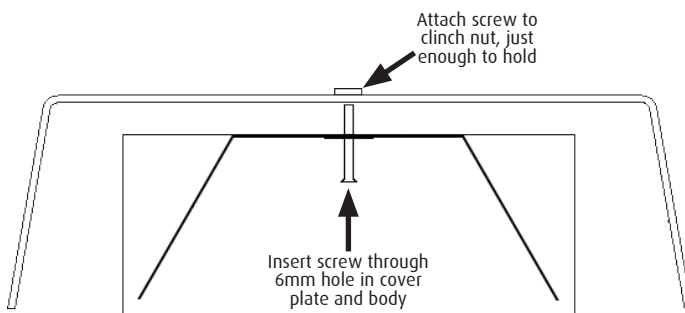


Linear 300 Plaster Recess 600:



Step 2

Attach plaster mounting bracket by placing bracket screw through 6mm hole in cover plate and body. Locate screw to clinch nut on bracket and "only just start the thread". Repeat on other end of fitting.



Step 3

Plug flex into plug base.

Step 4

Place fitting in opening. With screwdriver push screw and bracket into ceiling till bracket is above plaster. Then screw both tight to the ceiling.

Step 5

LO Diffuser

Place diffuser in light fitting with smooth side facing the LED's.

XLG Diffuser

Fit frosted diffuser (Lumieo) first, with polished side facing the LED's by pushing in one corner at a time until it sits flush in frame. Repeat process with second diffuser (CDP). Smooth side facing in.

Note

600 Only:

To attach mounting bracket (step 2) remove cover plate assembly first and place bracket screw through 6mm hole (dimple) in body. Locate screw to clinch nut on bracket and "only just start the thread" Repeat on other end of fitting.

Once screwed tight in the ceiling refit cover plate assembly and place diffuser/diffusers in fitting (refer to step 5).

