

## 2B hung **Shell**



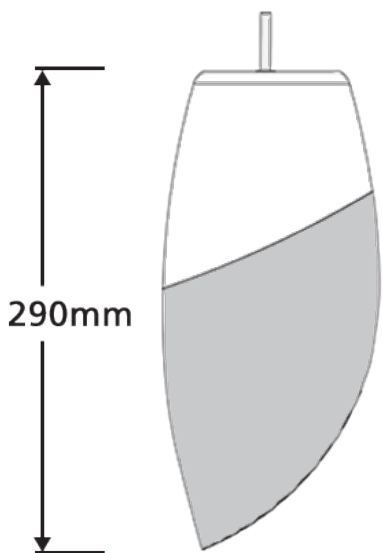
- The Shell pendant is inspired by natural forms of the sea and explores the interplay of varying textures and finishes. The smooth top surface flows into the semi translucent rippled base, with an overlapping detail that creates an elegant ethereal glow that enchants any space.
- Three lamp colour options available (2700K, 3000K, 4000K)
- Diffuser options available: Half bulb or Full bulb
- Three dimming options: Dali DC Dimming, Universal Dimming, Ultra Dimming (Extra Low Dimming to 0.1%)
- 90+ CRI
- Ceiling mounted or track mounted options
- 3D printed housing available in black or white (Black [B], White [W])
- Luminaire lifetime L80/B10 51,000hours
- MacAdams 3 SDCM

**Eg Code** P-S-12W-CM-CB-D-3K-B-DC

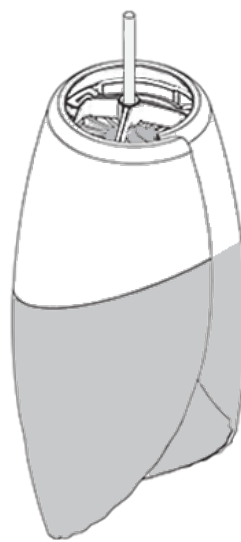
Code	Absolute Lumens
P - S - 12W - (CM or TM) - (CB or CW) - ND - (2.7 or 3 or 4K) - (B or W) - (DC or UD or XLD)	1600Lm (Lamp lumens)
P - S - 12W - (CM or TM) - (CB or CW) - PD - (2.7 or 3 or 4K) - (B or W) - (DC or UD or XLD)	1600Lm (Lamp lumens)
P - S - 12W - (CM or TM) - (CB or CW) - D - (2.7 or 3 or 4K) - (B or W) - (DC or UD or XLD)	1600Lm (Lamp lumens)

### LED PRODUCT LEGEND

<b>P</b>	<b>S</b>	<b>12W</b>	<b>CM</b>	<b>CB</b>	<b>D</b>	<b>3K</b>	<b>B</b>	<b>DC</b>
RANGE	PRODUCT	WATTAGE	MOUNTING	CORD COLOUR	DIFFUSER	LED COLOUR	BODY COLOUR	DIMMING OPTION



**Standard Version**



**Black / White**

