

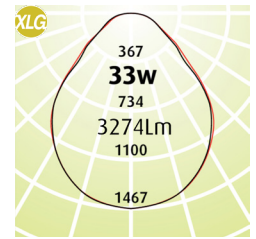
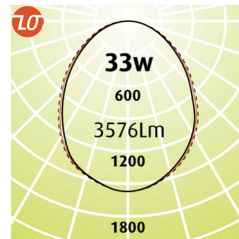
Square SQ 600 Plaster

- Square 600 Plaster is a recessed Luminaire, suitable for a plaster ceiling with a textured white frame
- Supplied with a 2m flex and plug for quick and easy installation
- Air Handling available on two or four sides which can still incorporate Sensors or Emergency or both in the design
- Selection of optics throughout the range
- LED Outputs and LED Lamp Colour options available
- XLG Diffuser UGRmax: 19
- Luminaire lifetime L80/B10 >50,000hours
- MacAdams 3 SDCM

Options

- Ultra Dim (Extra Low Dimming to 0.1%)
- Dim (Dali Dimming to 1%)
- EM-LED (LED Emergency) c0 D20 / c90 D20
- EM-LED-EDALI (Monitored option) c90 D20
- LSL (LimeLite Sensor Light)
- AH (Air Handling)

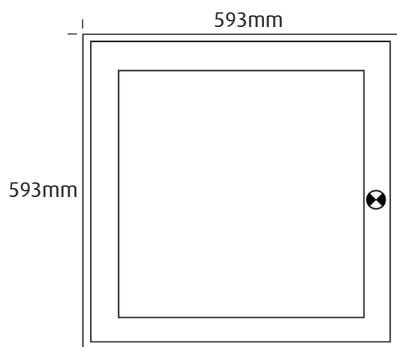
Eg Code SQ-P-LO-600-33W-4K



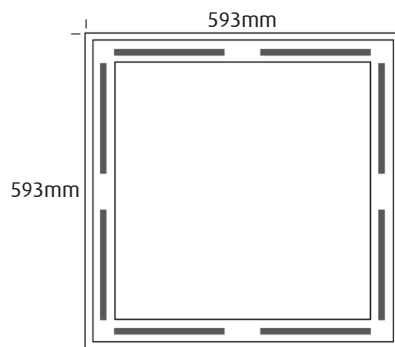
Code	Absolute Lumens	Depth	Plaster Cut Out
SQ - P - LO - 600 - 33W - 4K	3576Lm	86	530 x 530
SQ - P - XLG - 600 - 33W - 4K	3274Lm	86	530 x 530

LED PRODUCT LEGEND

SQ	- P	- LO	- 600	- 33W	- 4K
RANGE	MOUNTING	DIFFUSER	LENGTH	SYSTEM WATTS	LED COLOUR



Standard Frame with EM or Sensor Option



Air Handling Option (2 or 4 sides)

