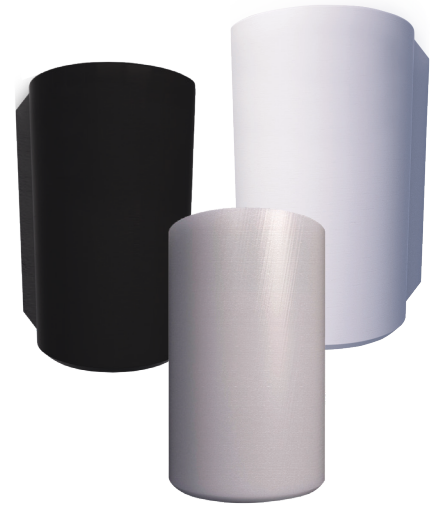


Wall Light **Flash**



- A contemporary and minimalist design. The Flash is a modern 3D printed cylindrical wall light that is a product of the 'light the way' family.
- Three lamp colour options available (2700K, 3000K, 4000K)
- Three dimming options: Dali DC Dimming, Phase Cut Dimming, Ultra Dimming (Extra Low Dimming to 0.1%)
- 90+ CRI
- 3D printed housing available in black, white or frost (Black [B], White [W], Frost [F])
- Luminaire lifetime L80/B10 55,000hours
- MacAdams 3 SDCM

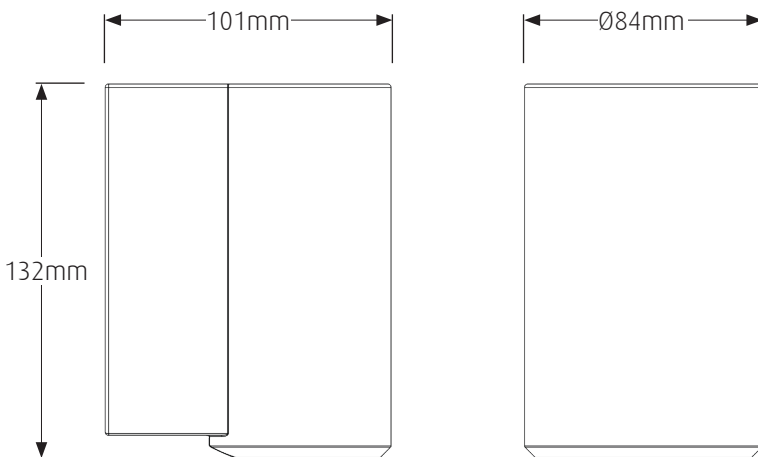
Eg Code WL-F-12w-3K-F-PCD



Code	Absolute Lumens
WL - F - 12w - (2.7K or 3K or 4K) - B - (DC or PCD or UD)	334Lm
WL - F - 12w - (2.7K or 3K or 4K) - W - (DC or PCD or UD)	570Lm
WL - F - 12w - (2.7K or 3K or 4K) - F - (DC or PCD or UD)	864Lm

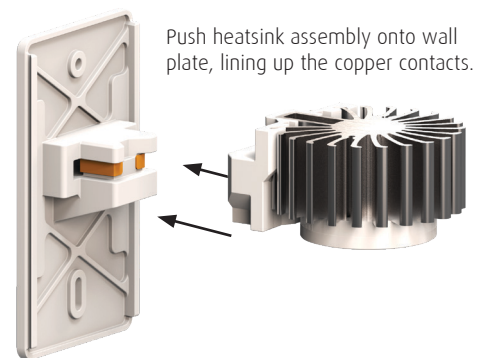
LED PRODUCT LEGEND

WL	-	F	-	12W	-	3K	-	F	-	UD
RANGE	PRODUCT	WATTAGE	LED COLOUR	BODY COLOUR	DIMMING OPTION					



Wall Mounted Version

Black / White / Frost



Wall Plate and Heat Sink Attachment