

# Wall Light **Ned**

- The Ned is a modern cylindrical wall light offering contrast. A distinct cut-out, featuring the anodised heat sink, allows for a more personalised design.
- Three lamp colour options available (2700K, 3000K, 4000K)
- Three dimming options: Dali DC Dimming, Phase Cut Dimming, Ultra Dimming (Extra Low Dimming to 0.1%)
- 90+ CRI
- 3D printed housing available in black, white or frost (Black [B], White [W], Frost [F])
- Luminaire lifetime L80/B10 55,000hours
- MacAdams 3 SDCM



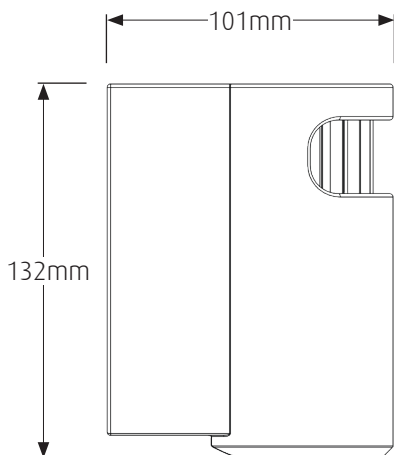
**Eg Code** WL-N-12w-3K-F-UD-HSC



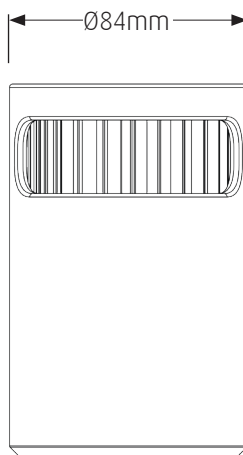
Code	Absolute Lumens
WL - N - 12w - (2.7K or 3K or 4K) - B - (DC or PCD or UD) - (HSS or HSB or HSC)	334Lm
WL - N - 12w - (2.7K or 3K or 4K) - W - (DC or PCD or UD) - (HSS or HSB or HSC)	570Lm
WL - N - 12w - (2.7K or 3K or 4K) - F - (DC or PCD or UD) - (HSS or HSB or HSC)	864Lm

LED PRODUCT LEGEND

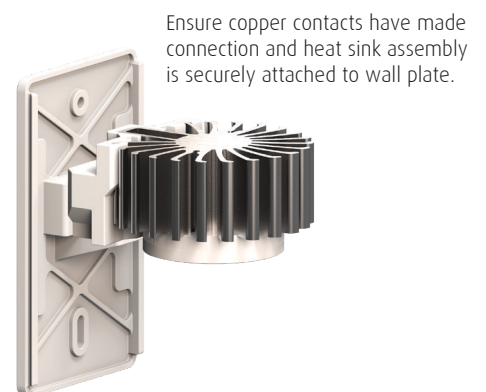
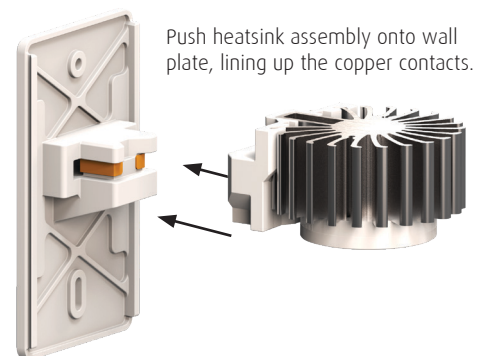
<b>WL - N - 12W - 3K - F - UD - HSC</b>						
RANGE	PRODUCT	WATTAGE	LED COLOUR	BODY COLOUR	DIMMING OPTION	HEAT SINK OPTION



**Wall Mounted Version**



Black / White / Frost



**Wall Plate and Heat Sink Attachment**