

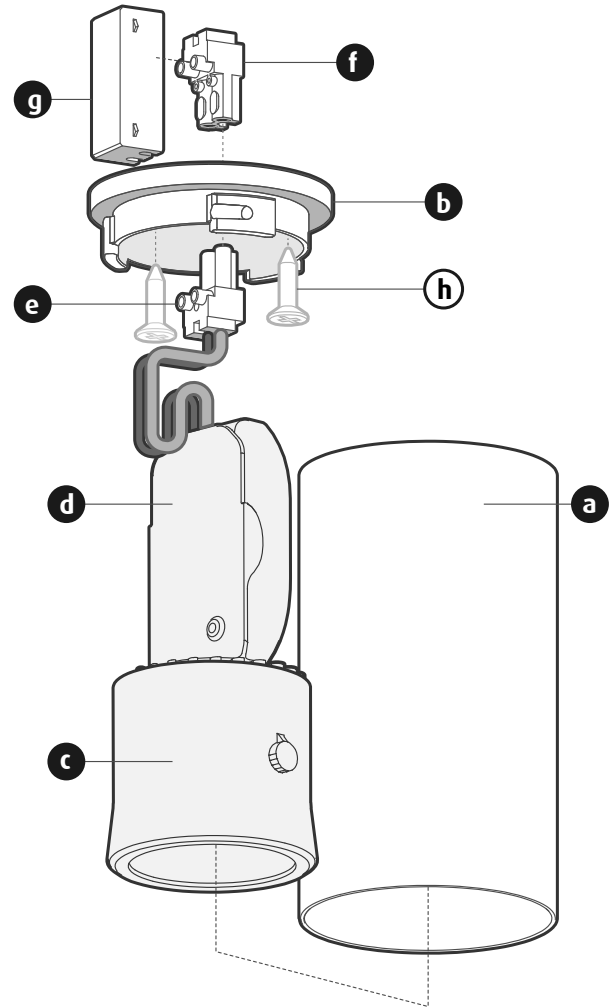
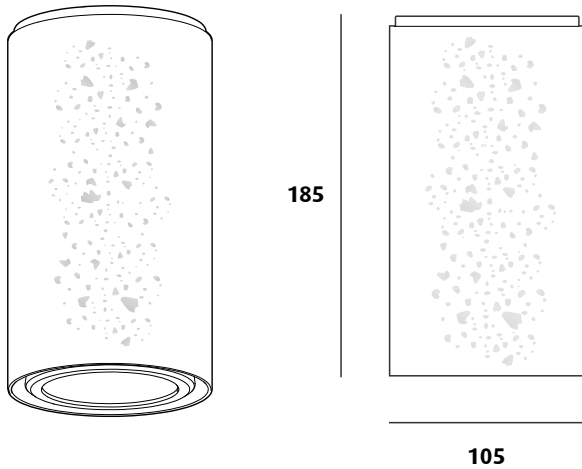


FLASH (LIME WASH)

SURFACE MOUNTED CAN

INSTALLATION INSTRUCTIONS

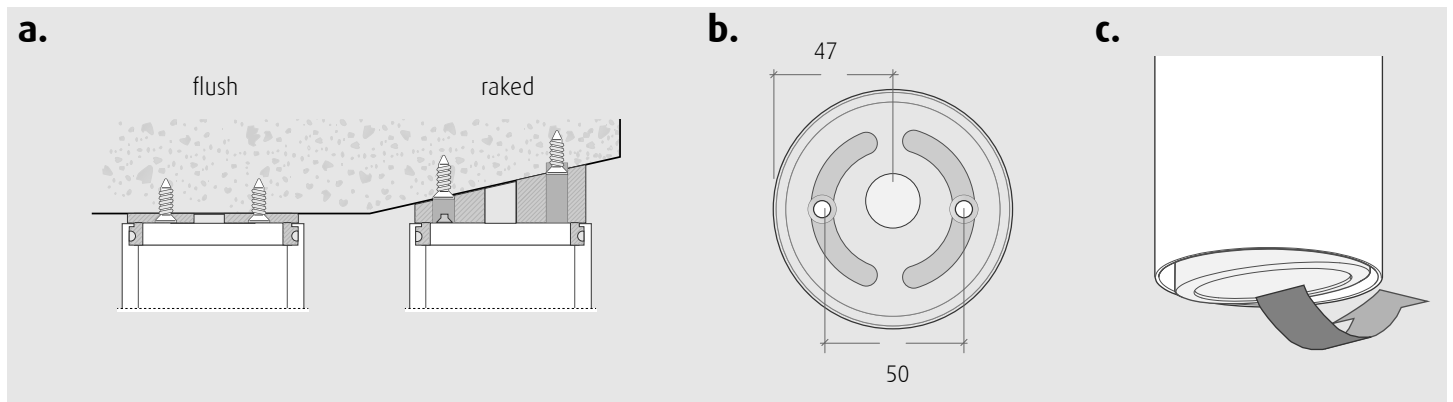
IT IS IMPORTANT THAT ONLY APPROPRIATELY QUALIFIED INDIVIDUALS PERFORM THE INSTALLATION ACCORDING TO THE PROVIDED INSTALLATION INSTRUCTIONS IN LINE WITH ALL APPLICABLE REGULATIONS AND STANDARDS. IN THE EVENT OF IMPROPER INSTALLATION; ELECTRICAL SHOCK, FIRE, OR INJURY CAN RESULT FROM AN ELECTRICAL HAZARD. NEITHER LIMELITE NOR ITS AFFILIATES ARE RESPONSIBLE FOR DAMAGES RESULTING FROM IMPROPER HANDLING, STORAGE, OR INSTALLATION OF THE PRODUCT.



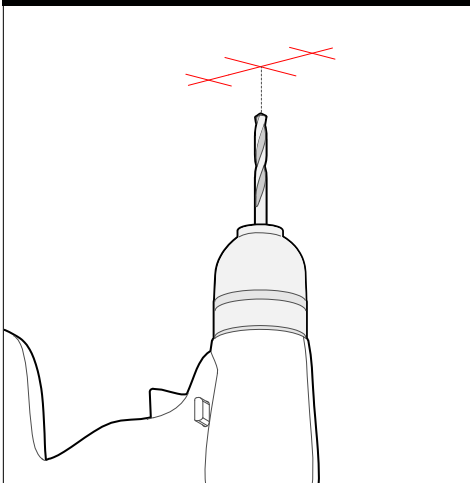
item no.	description
a	decorative can body
b	surface mount disk
c	rotating gimble head
d	integral driver
e	male Plug
f	female plug
g	plug cap
h	screws

Note:

figure a: installation options
 figure b: 'surface mount disk' critical dimensions.
 figure c: 10 degree range of motion.

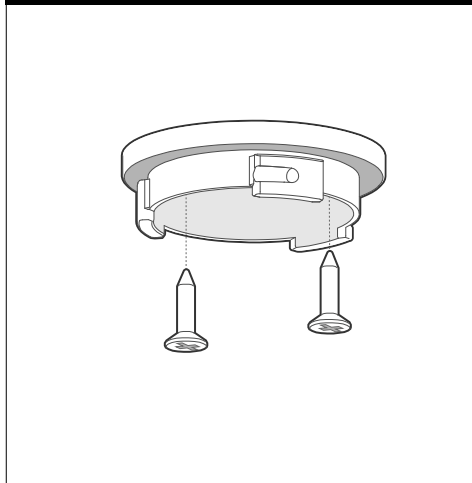


Step 1.



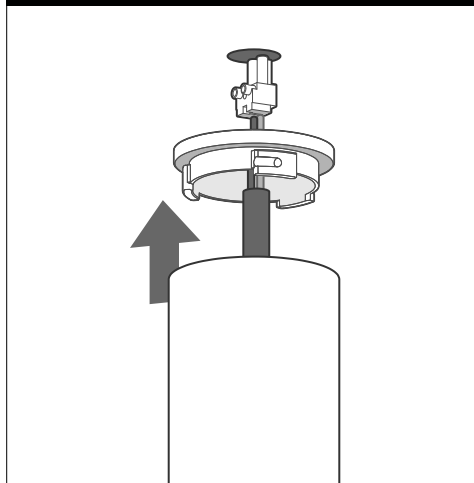
Mark ceiling and drill holes for powerfeed and pilot holes for fasteners if necessary.

Step 2.



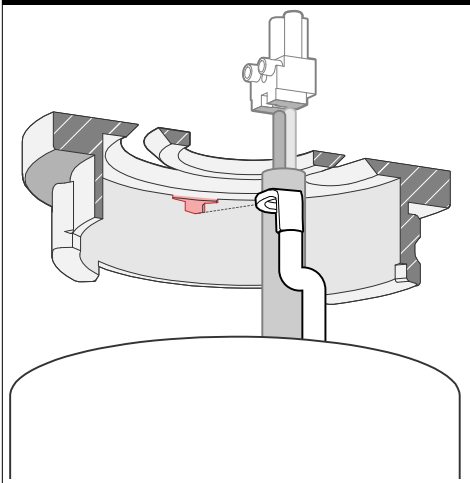
Fix surface mounted disk(b) to ceiling with screws.

Step 3.



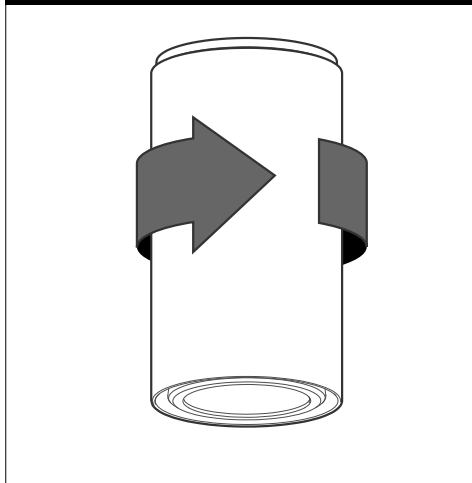
Feed powercable through opening of surface mounted disk(b).

Step 4.



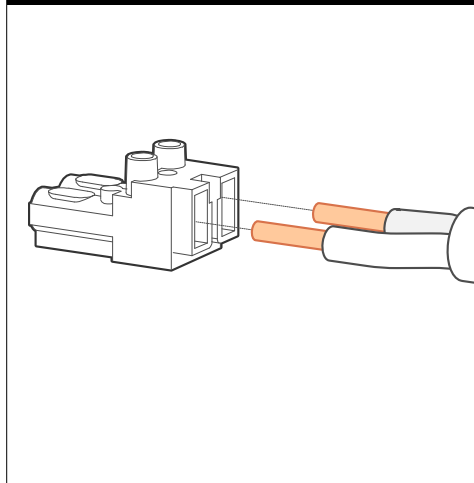
Insert lanyard into opening of surface mounted disk(b).

Step 5.



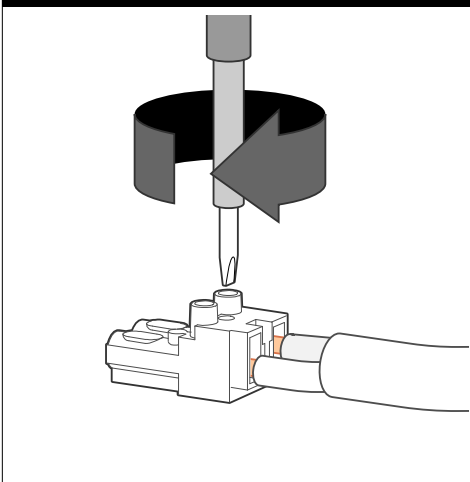
Insert 'can body'(a) into 'surface mounted disk'(b). Rotate 'can body'(a) anti clockwise to install.

Step 6.



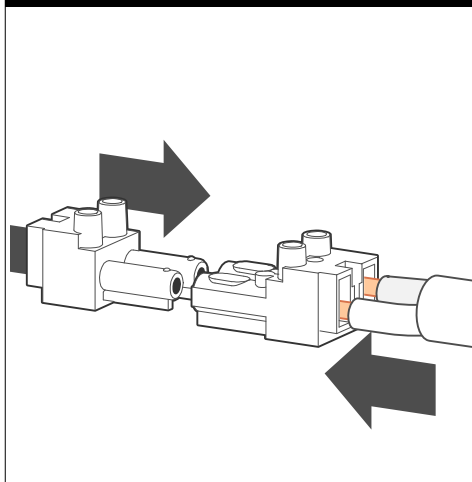
Pull powercable to female plug(f) & strip wires.

Step 7.



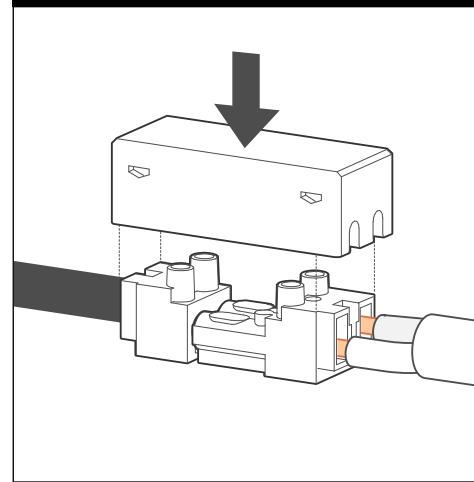
Insert stripped powercable into supplied plug(f) and terminate with flat screwdriver.

Step 8.



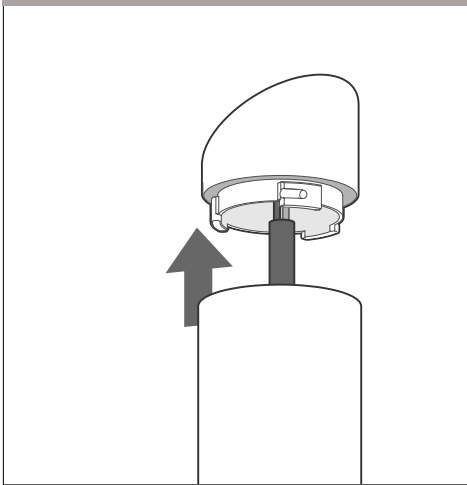
Connect plugs.

Step 9.



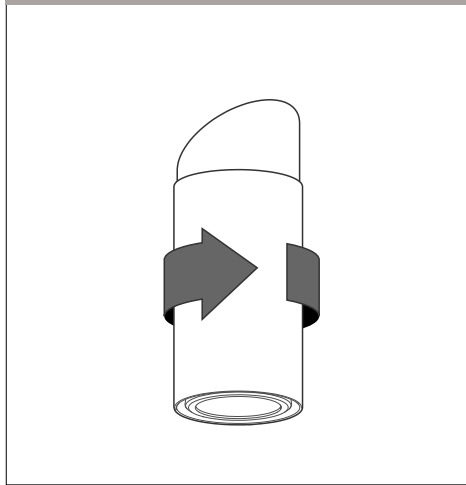
Insert supplied plug cap(g) over join.

Step a. IF Raked Ceiling



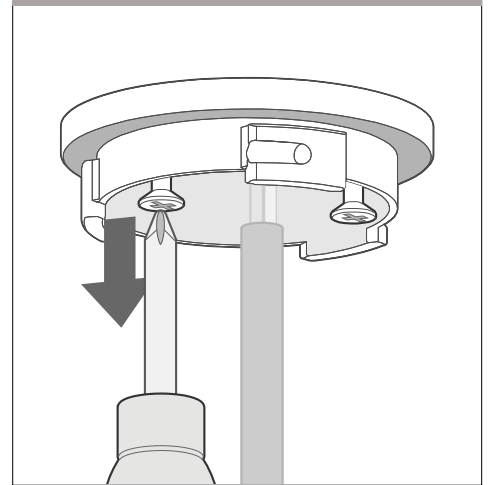
Install Raked SM Disk to suit ceiling.

Step b. IF Raked Ceiling



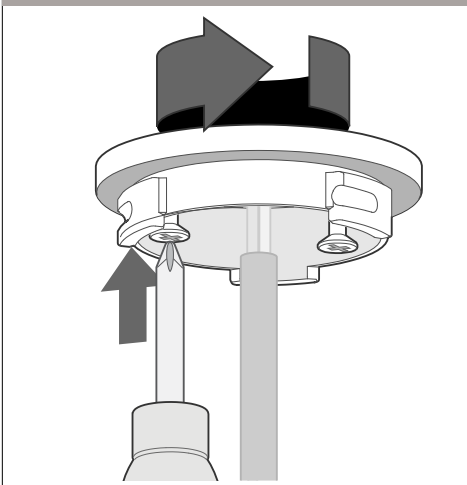
Replicate step 5-9. Insert 'can body'(a) into 'surface mounted disk'(b). Rotate 'can body'(a) anti clockwise to install.

Step 11. If Angle Adjustment is required.



Back off screws installing surface mounted disk.

Step 11. If Angle Adjustment is required.



Rotate Surface mounted disk and re-fix mounting screws.