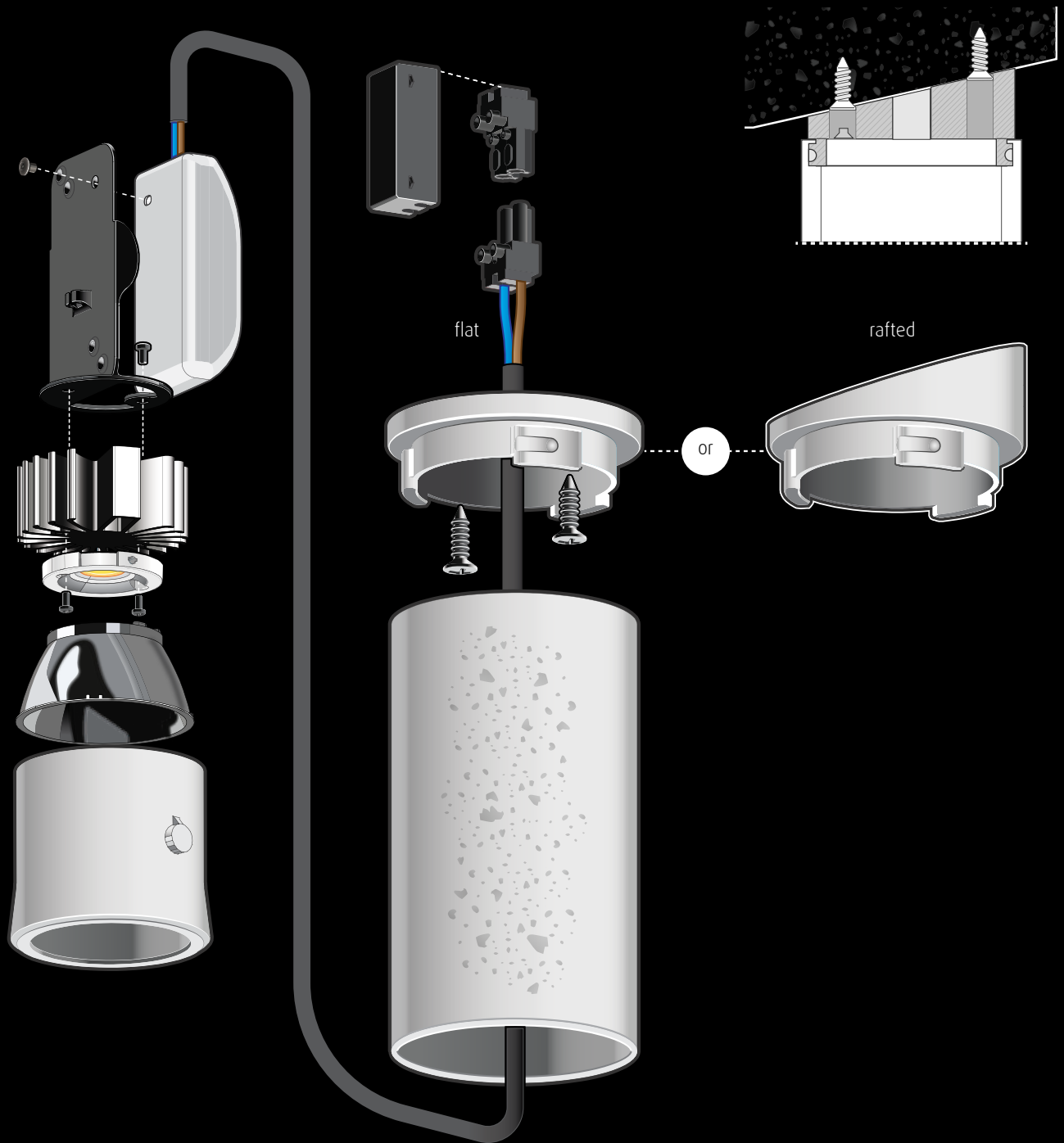




surface mounted can.
Data Sheet



Our angled ceiling mounts are custom printed to suit on-site rafted ceiling specifications.



australian designed, made + owned

easy installation, no visible fasteners, integral driver, 10° degree gimble, unique textured finishes, point of difference + additive manufactured.

Performance.

SM CAN is a surface mounted luminaire with an integrated driver housed in the decorative 3D printed body. The Gimble allows for both a 10-degree range of motion and the option for dual colour combinations. The ceiling mount is offered in flush or rafted configurations to suit onsite specifications for any necessary inclines. Inspired by organic mediums and material; the textured body challenges and elevates the perceived finishes normally offered by additive manufacturing.

features

- colour temp:** 2700k, 3000k or 4000k
- lumen efficacy:** 112.16Lm/w
- lumen output:** 1346Lm
- wattage:** 12 watts
- wattage:** L80/B10 51,000hours
- led:** CRI 90+
- control:** DC String Dali Dimming
Phase Cut
Casambi

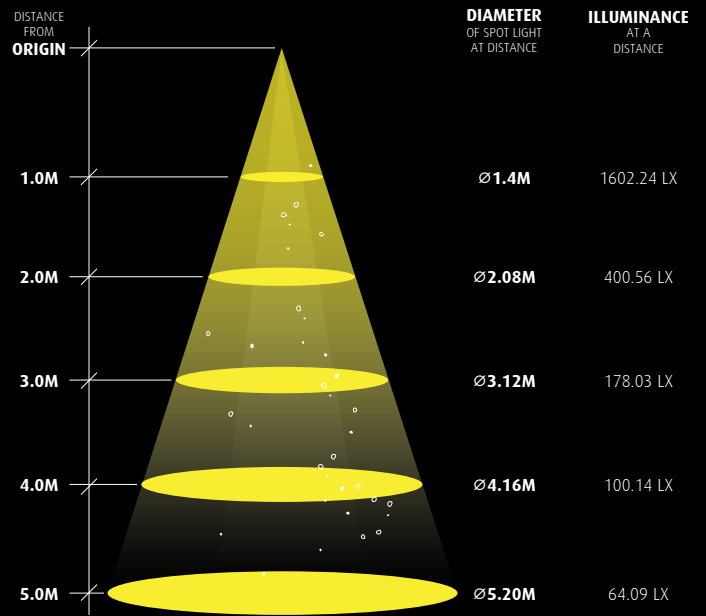


Figure A. illuminance at a distance diagram

filament

Our filament is manufactured inhouse using a combination of virgin and recycled material. We use locally sourced ABS (Acrylonitrile Butadiene Styrene) masterbatch as its a thermoplastic with high tensile strength and resistance to corrosion. In addition to this; we mix additives to the master batch to help with:

- flame retardancy additives help inhibit, suppress or delay combustion.
- UV Stabilization additives protect the filament from the long-term degradation from UV light

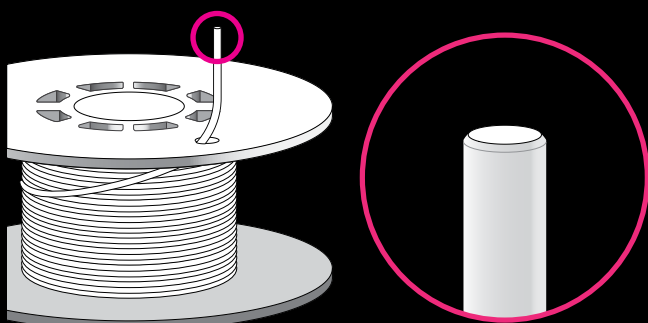


Figure B. Limelite produced ABS(Acrylonitrile Butadiene Styrene)

photometric

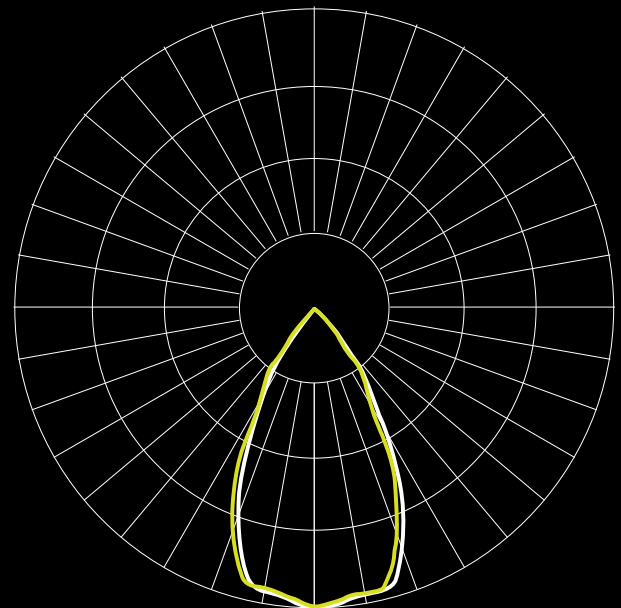
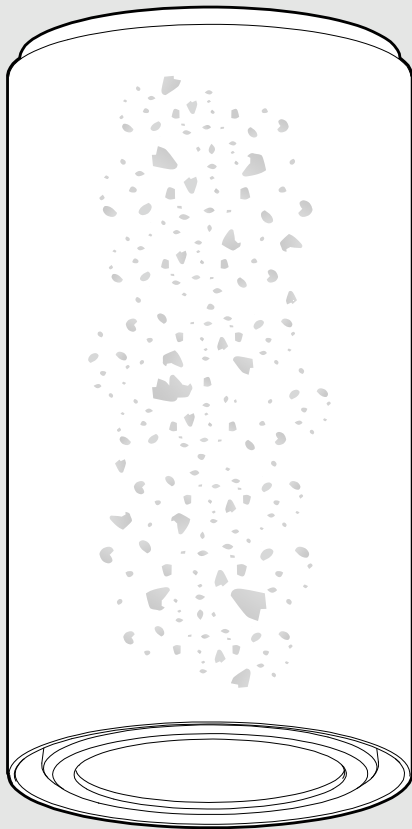


Figure C. Photometric polar diagram of luminaire.

product dimension

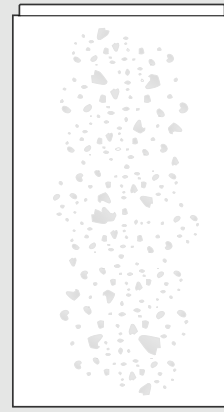


flash

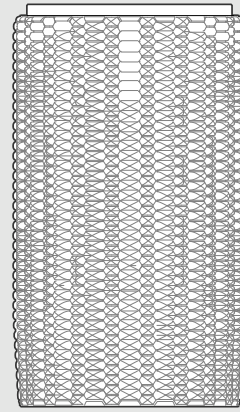


corn

185



185



105

105

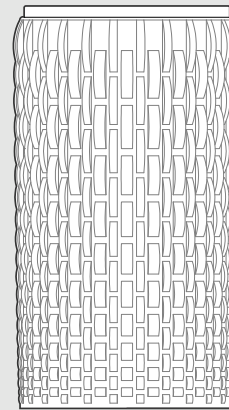


link

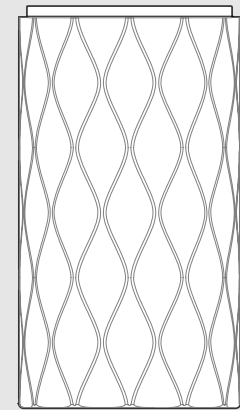


wave

185



185



105

105

led product legend

PROFILE

SYSTEM WATTAGE

LED COLOUR

CONTROL

SMC-FLW-FLD-12W-FC-3K-B-DC

RANGE

LENS

MOUNTING

BODY COLOUR

RANGE	SMC SURFACE MOUNT CAN	
PROFILE	C CORN	W WAVE
	L LINK	FLW FLASH (LIME WASH)
LENS	FLD FLOOD	
WATT.	12W 12 WATTS (SYSTEM WATTAGE)	
MOUNTING	FC FLAT CEILING	RC RAKED CEILING
LED COLOUR	2.7K 2700K	3K 3000K
	4K 4000K	
BODY COLOUR	W WHITE	B BLACK
	E EUCALYPTUS	S SMOKE
	R RUST	
CONTROL	DC DC STRING DALI DIMMING	
	PCD PHASE CUT DIMMING	
	C CASAMBI	



Flash - Black on black



Corn - White on white



Link- Black on White (White Gimble)



Wave - White on white





Now Printed in

C O L O U R



RUST

SMOKE

EUCALYPTUS



lime lite



www.limelitelighting.com.au

65-67 Temple Drive, Thomastown
Victoria, AUSTRALIA 3074

Ph: (03) 9465 8235
sales@limelitelighting.com.au



Follow us [limeliteau](https://www.limeliteau.com)