

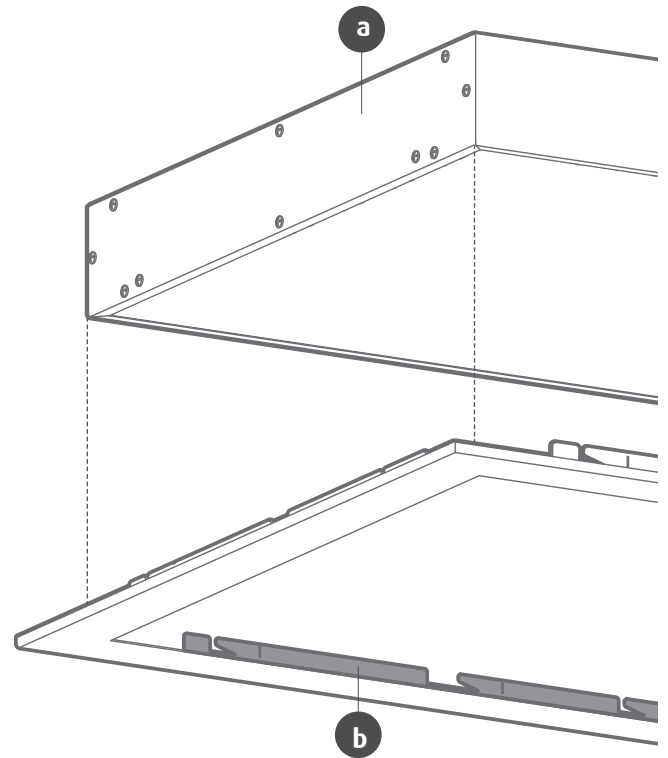
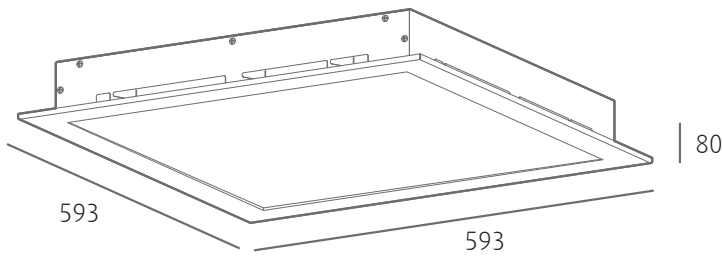


SQUARE 600 IP20

PLASTER RECESS

INSTALLATION INSTRUCTIONS

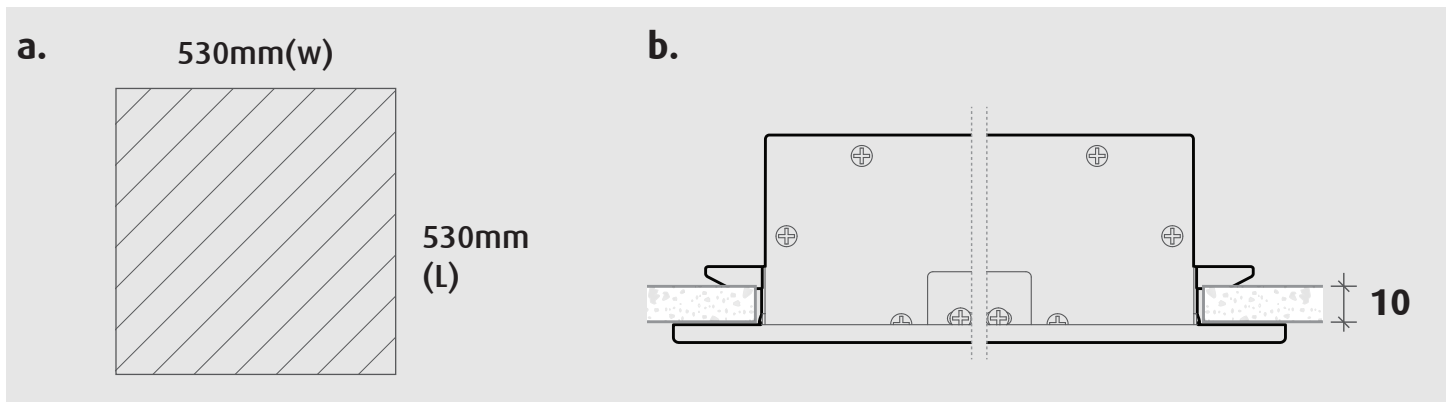
IT IS IMPORTANT THAT ONLY APPROPRIATELY QUALIFIED INDIVIDUALS PERFORM THE INSTALLATION ACCORDING TO THE PROVIDED INSTALLATION INSTRUCTIONS IN LINE WITH ALL APPLICABLE REGULATIONS AND STANDARDS. IN THE EVENT OF IMPROPER INSTALLATION; ELECTRICAL SHOCK, FIRE, OR INJURY CAN RESULT FROM AN ELECTRICAL HAZARD. NEITHER LIMELITE NOR ITS AFFILIATES ARE RESPONSIBLE FOR DAMAGES RESULTING FROM IMPROPER HANDLING, STORAGE, OR INSTALLATION OF THE PRODUCT.



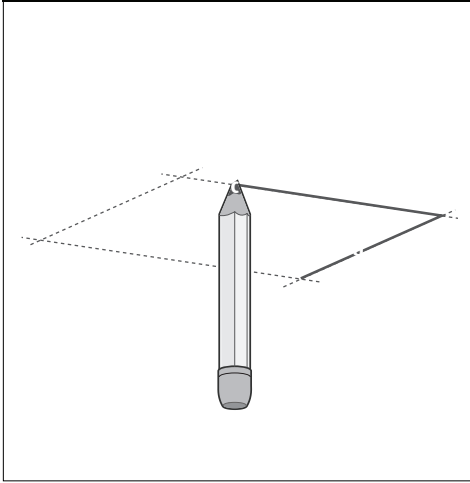
item no.	description
a	recessed body
b	frame

Note:

figure a: cutout dimensions
figure b: substrate geometry.

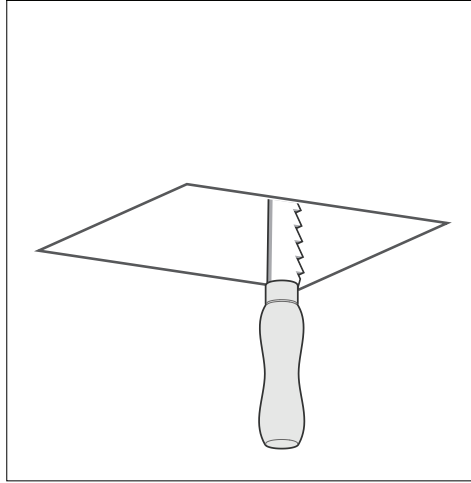


Step 1.



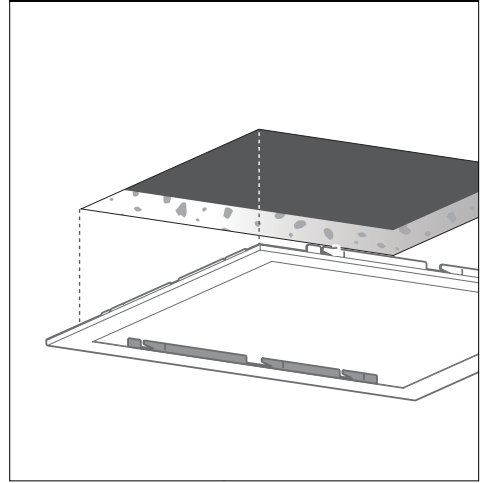
Mark out square opening in ceiling.

Step 2.



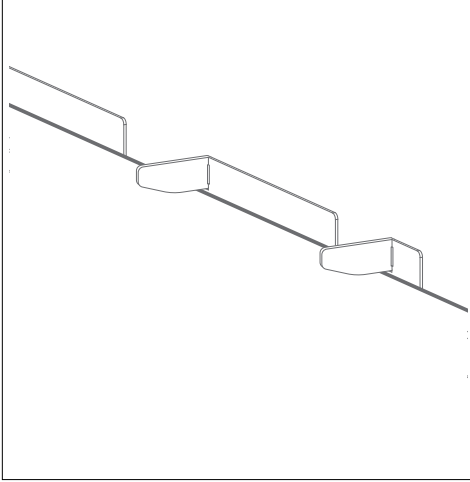
Cut square opening in ceiling.

Step 3.



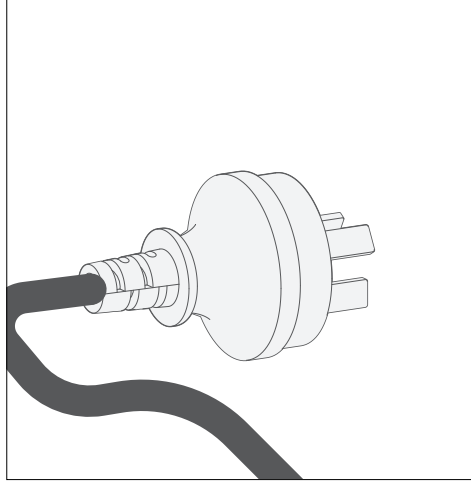
Insert frame(b) into cutout.

Step 4.



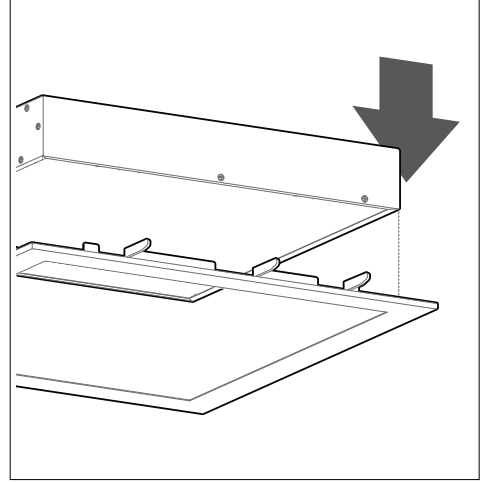
Pressing all tabs firmly into plaster, until frame is flush to ceiling.

Step 5.



Plug flex into plug base. Feed excess wire into ceiling cavity

Step 6.



Drop mainbody(a) into installed frame(b).