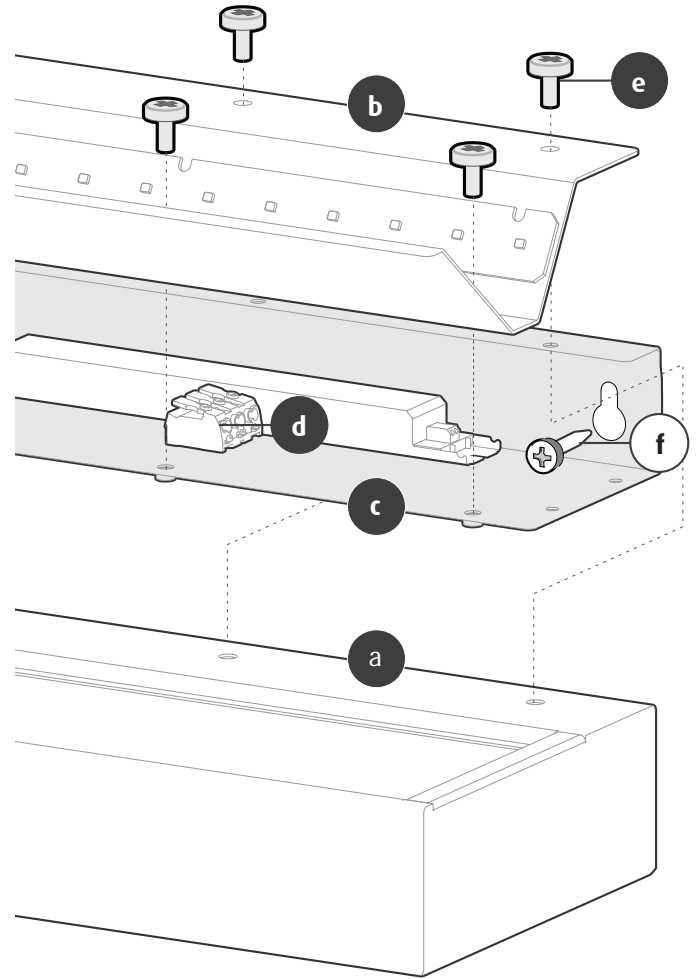
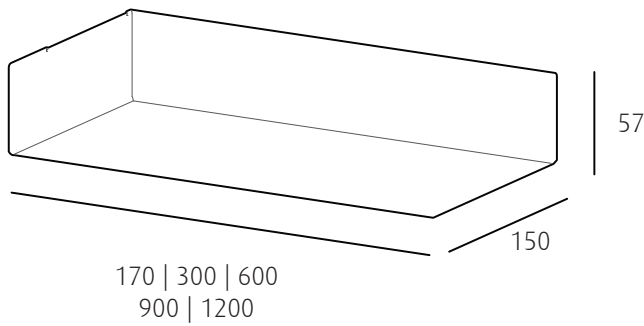


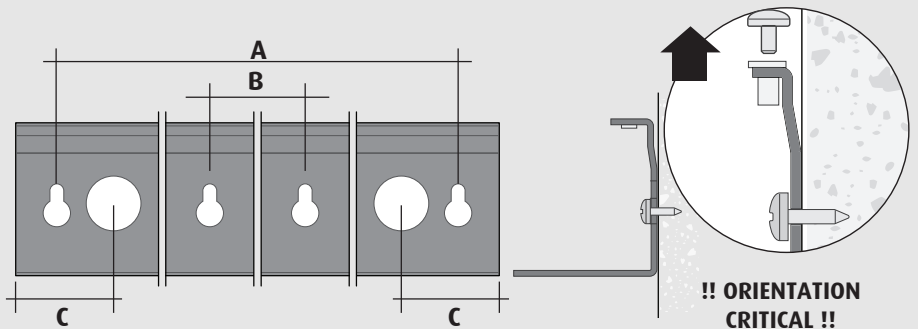
IT IS IMPORTANT THAT ONLY APPROPRIATELY QUALIFIED INDIVIDUALS PERFORM THE INSTALLATION ACCORDING TO THE PROVIDED INSTALLATION INSTRUCTIONS IN LINE WITH ALL APPLICABLE REGULATIONS AND STANDARDS. IN THE EVENT OF IMPROPER INSTALLATION; ELECTRICAL SHOCK, FIRE, OR INJURY CAN RESULT FROM AN ELECTRICAL HAZARD. NEITHER LIMELITE NOR ITS AFFILIATES ARE RESPONSIBLE FOR DAMAGES RESULTING FROM IMPROPER HANDLING, STORAGE, OR INSTALLATION OF THE PRODUCT.



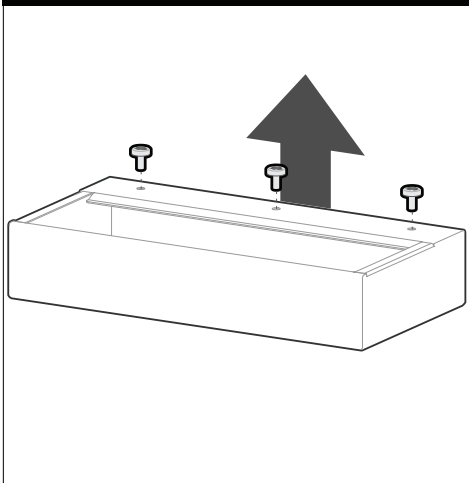
item no.	description
a	mainbody
b	reflector
c	gear tray
d	terminal block
e	fasteners
e	mounting screw(not supplied)

figure A: critical dimensions  
note: ensure mounting plate is orientated with riv nut flange top facing.

length	A	B	C
170	131	-	45 <sup>**</sup>
300	270	-	115 <sup>**</sup>
600	498	-	60
900	838	418	140
1200	1140	445	285

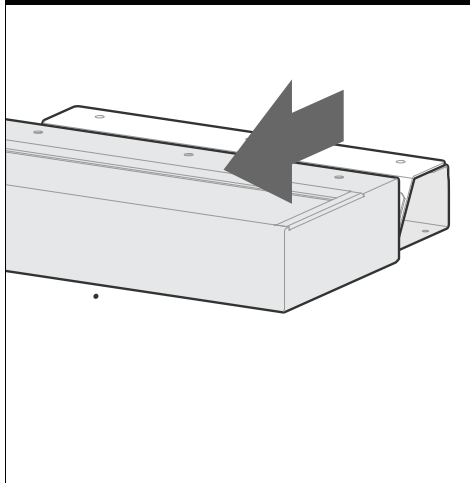


**Step 1.**



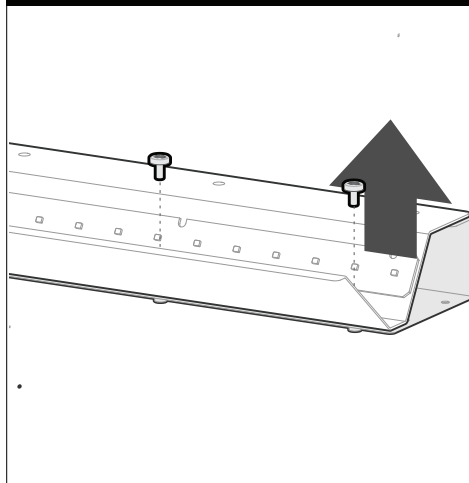
Remove screws from mainbody(a). Retain fasteners.

**Step 2.**



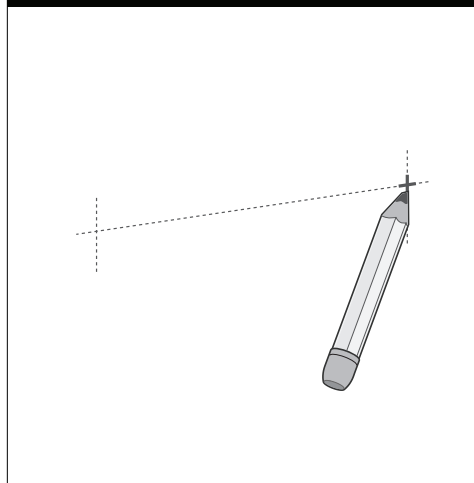
Remove mainbody(a) to reveal reflector(b) & gear tray(c).

**Step 3.**



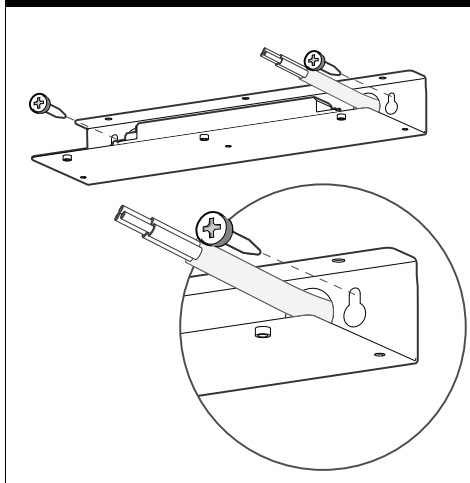
Remove reflector(b) from gear tray(c). Retain fasteners.

**Step 4.**



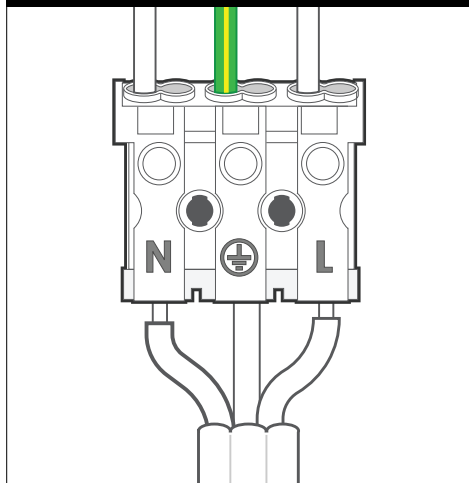
Mark location of luminaire. SEE FIGURE A PG1.

**Step 5.**



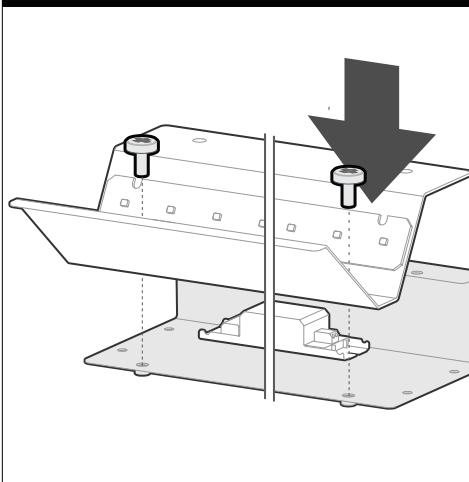
Feed powercable through gear tray(c). Fix gear tray(c) into wall with appropriate fasteners(not supplied).

**Step 6.**



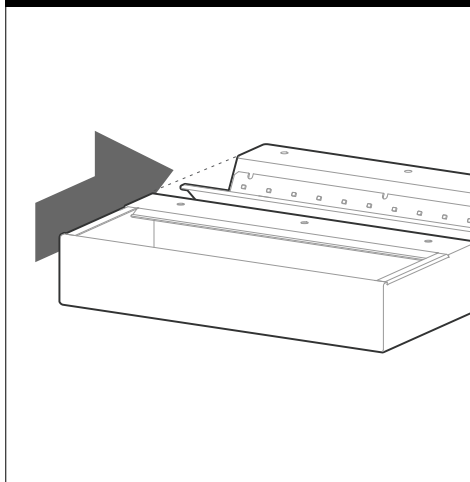
Terminate powercables at terminal block.

**Step 7.**



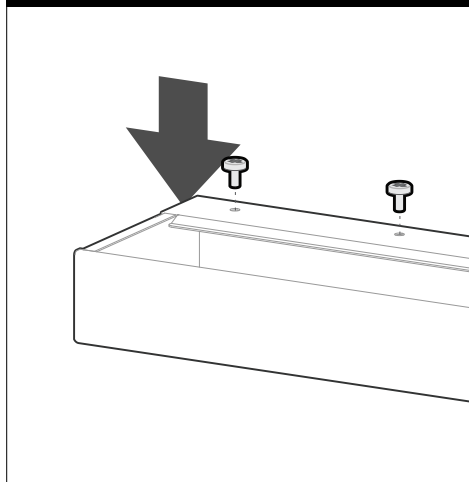
Fix reflector(b) onto gear tray(c) with retained fasteners.

**Step 8.**



Slide mainbody(a) over fixed reflector(b) and gear tray(c).

**Step 9.**



Refit screws on top of body to secure.