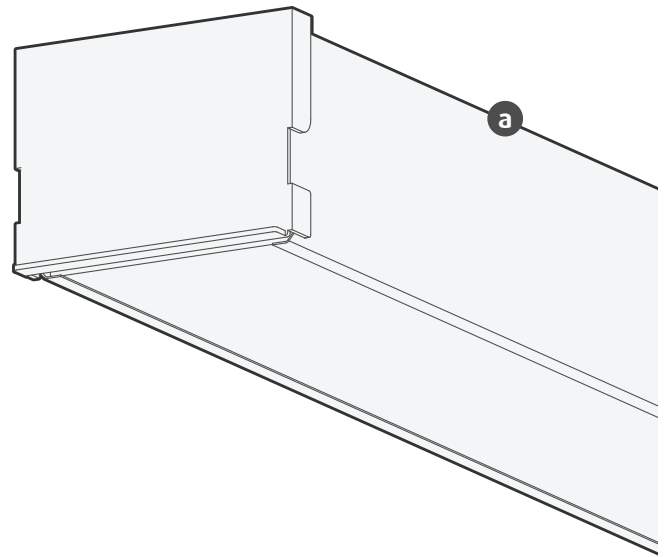
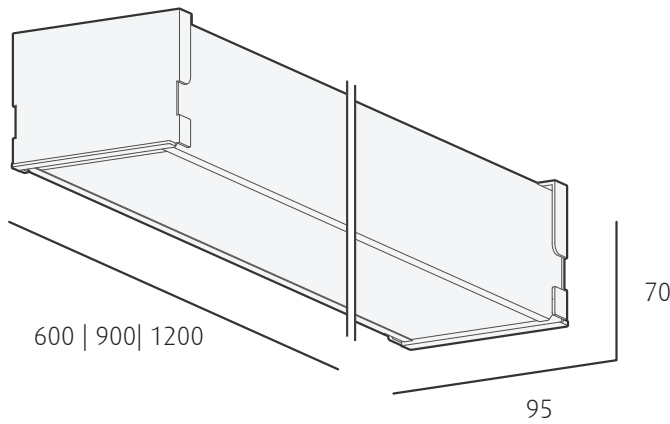


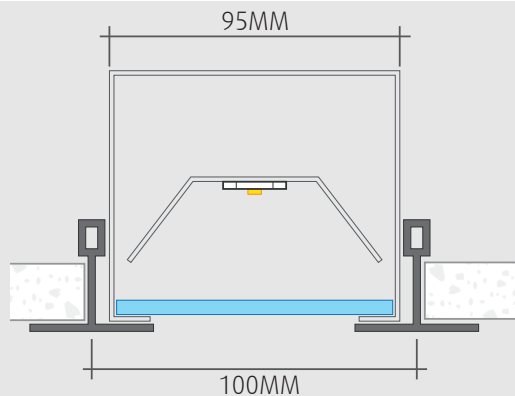
IT IS IMPORTANT THAT ONLY APPROPRIATELY QUALIFIED INDIVIDUALS PERFORM THE INSTALLATION ACCORDING TO THE PROVIDED INSTALLATION INSTRUCTIONS IN LINE WITH ALL APPLICABLE REGULATIONS AND STANDARDS. IN THE EVENT OF IMPROPER INSTALLATION; ELECTRICAL SHOCK, FIRE, OR INJURY CAN RESULT FROM AN ELECTRICAL HAZARD. NEITHER LIMELITE NOR ITS AFFILIATES ARE RESPONSIBLE FOR DAMAGES RESULTING FROM IMPROPER HANDLING, STORAGE, OR INSTALLATION OF THE PRODUCT.



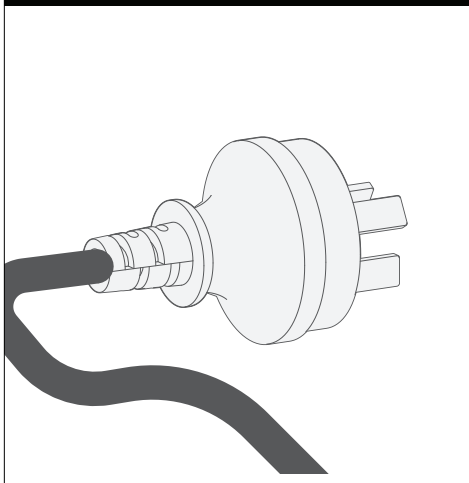
item no.	description
a	mainbody

figure a: spacing dimensions

100mm centres,
Position options along 600mm Tee-Bar

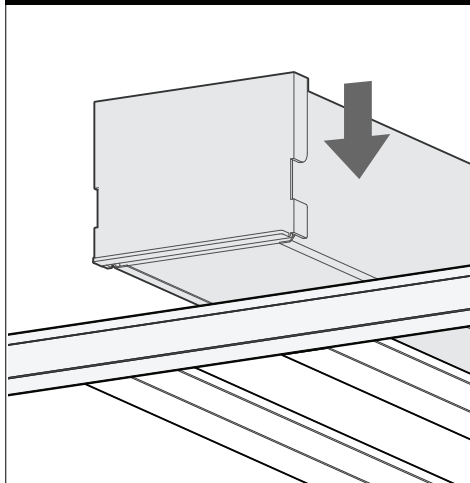


Step 1.



Plug flex & plug into recessed ceiling socket.

Step 2.



Place Linear 100 Tee-Bar fitting inside 100mm tee bar centered space (ceiling contractor to set space).