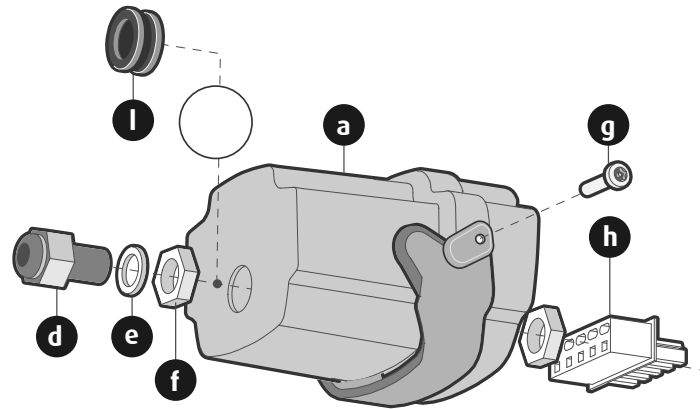
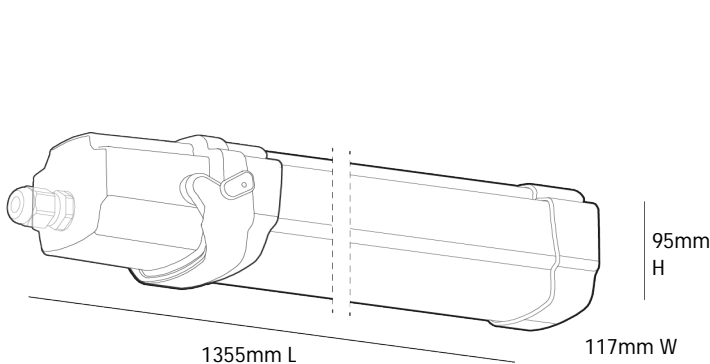


IT IS IMPORTANT THAT ONLY APPROPRIATELY QUALIFIED INDIVIDUALS PERFORM THE INSTALLATION ACCORDING TO THE PROVIDED INSTALLATION INSTRUCTIONS IN LINE WITH ALL APPLICABLE REGULATIONS AND STANDARDS. IN THE EVENT OF IMPROPER INSTALLATION; ELECTRICAL SHOCK, FIRE, OR INJURY CAN RESULT FROM AN ELECTRICAL HAZARD. NEITHER LIMELITE NOR ITS AFFILIATES ARE RESPONSIBLE FOR DAMAGES RESULTING FROM IMPROPER HANDLING, STORAGE, OR INSTALLATION OF THE PRODUCT.



item no.	description
a	powerfeed cap
b	body
c	end cap
d	IP gland M20
e	'O' ring
f	nut
g	m3 torx screw
h	plug
i	mounting bracket
j	plastic clip
k	mounting screw (not supplied)
l	grommet

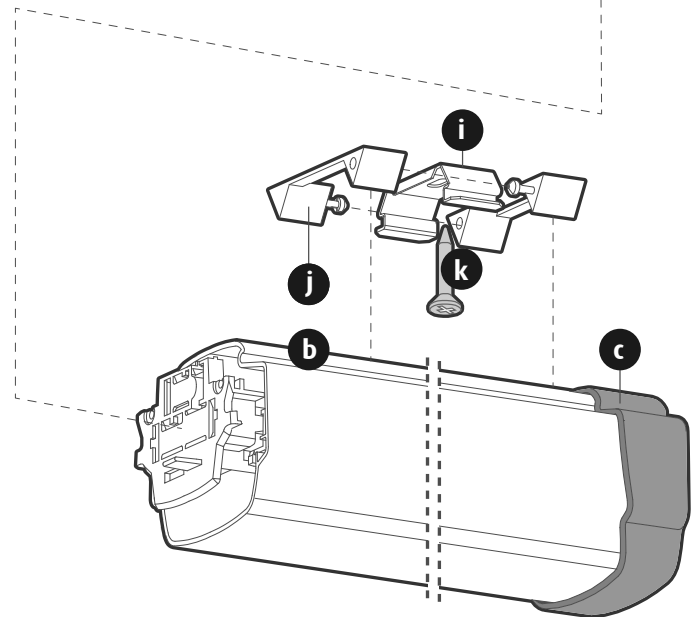
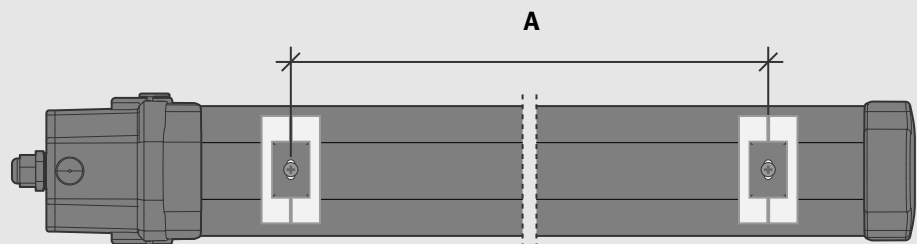


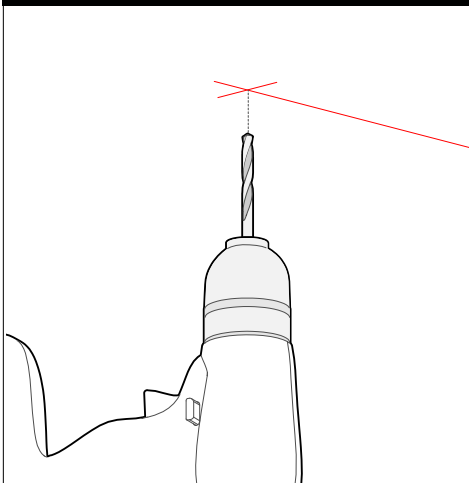
figure a: installation critical dimensions.

DESCRIPTION
MOUNTING
DISTANCE

A
800MM
CRITICAL

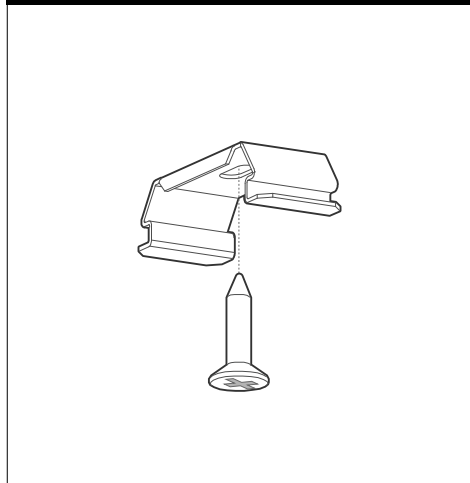


Step 1.



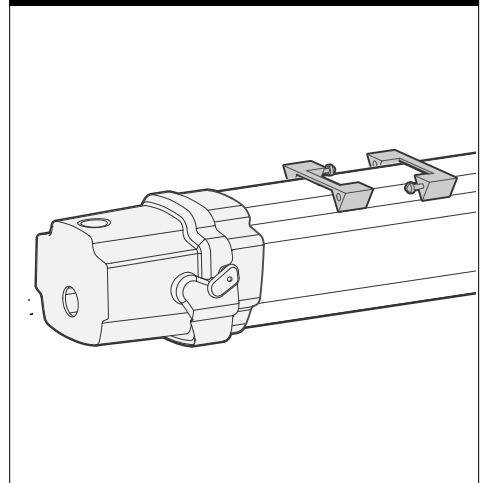
Mark ceiling and drill holes for powerfeed and pilot holes for fasteners if necessary.
REFER TO DIAGRAM A FOR CRITICAL DIMENSIONS

Step 2.



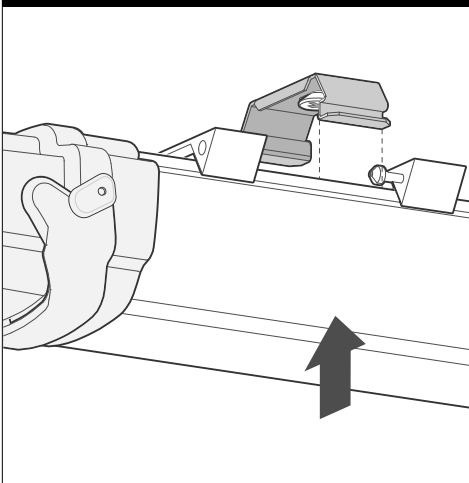
Fix mounting bracket(i) to ceiling with screws(k).

Step 3.



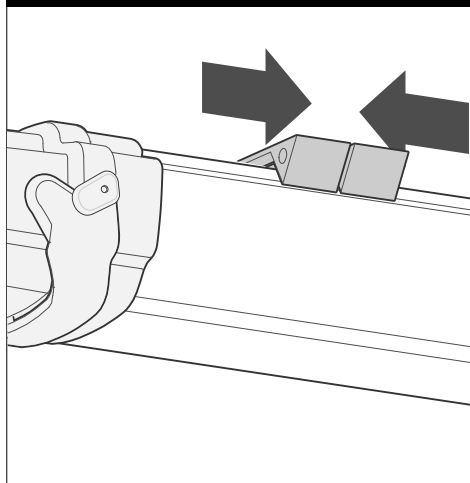
Install set of plastic clips(j) on body. Ensure these are not clipped together.

Step 4.



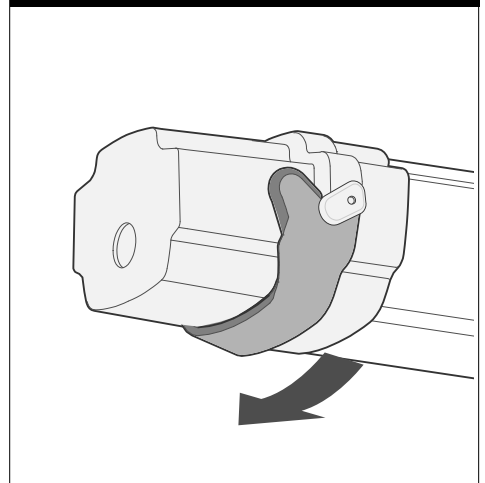
Attach body(b) to mounting bracket(i).

Step 5.



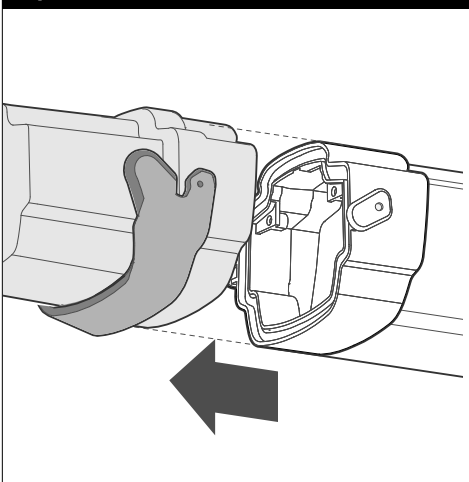
Push set of plastic clips(j) together.

Step 6.



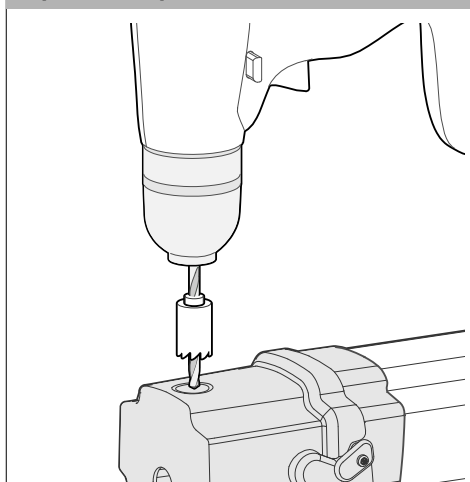
Pull lever of powerfeed endcap(a).

Step 7.



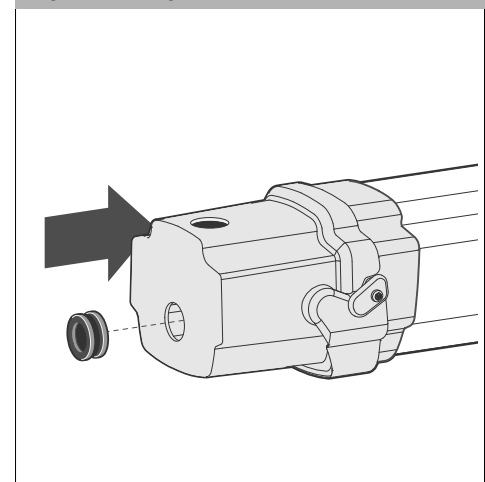
Remove powerfeed endcap(a) and retain.

Step 8b. If rear powerfeed.



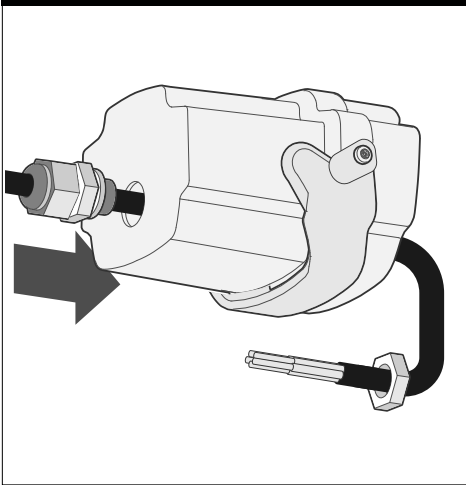
Use a 20mm hole cutter to create hole in powerfeed endcap.

Step 9b. If rear powerfeed.



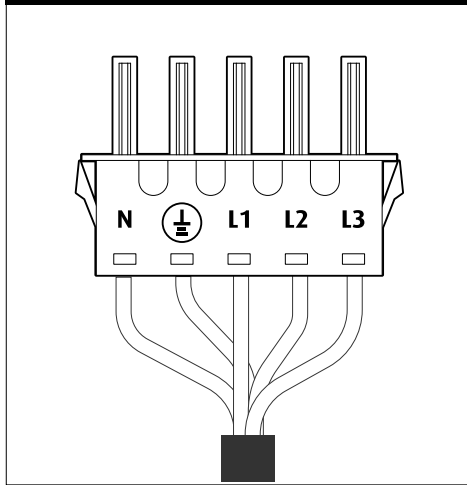
Plug end hole with grommet(l).

Step 8.



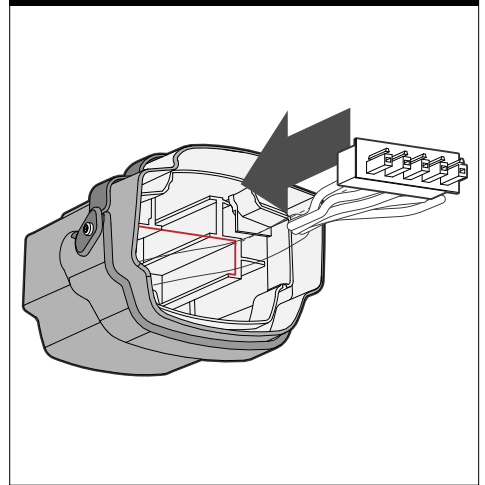
Feed powercable through IP gland(d), O ring(e) & sandwich between two Nuts(f) to install onto powerfeed cap(a).

Step 9.



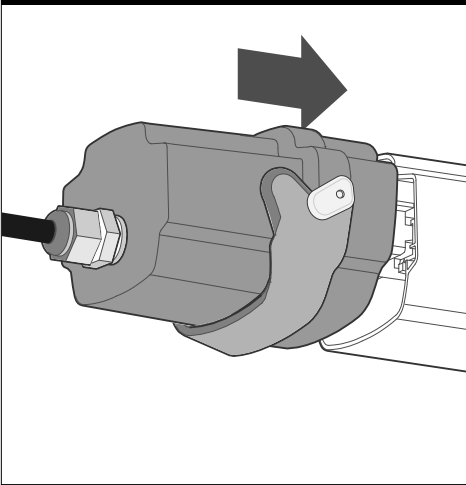
Terminate Powercable at terminal plug(h). Use L2 & L3 for Dali if required.

Step 10.



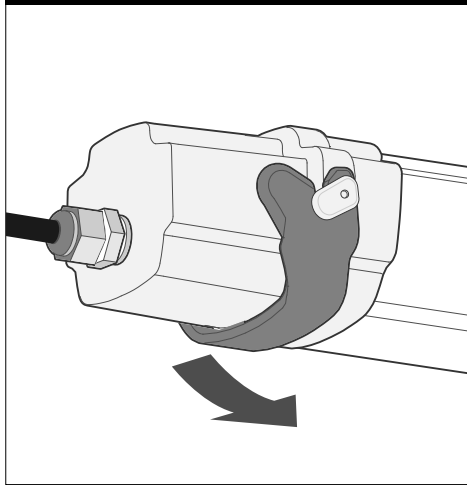
Insert plug(h) back into designated cutout of powerfeed cap(a).

Step 11.



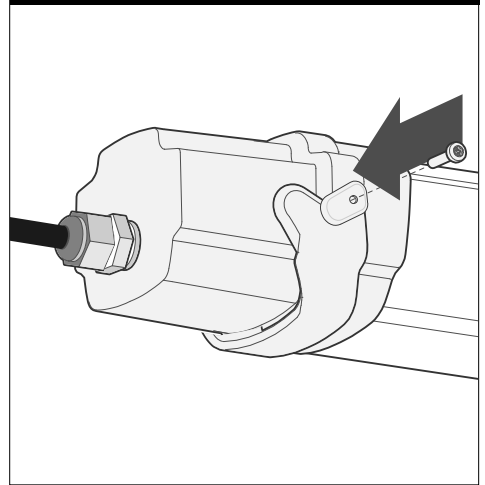
Align & attach powerfeed cap(a) to body(b).

Step 12.



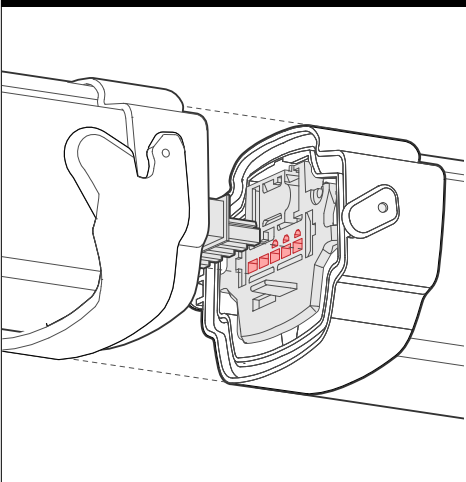
Lock in lever to fix powerfeed cap(a) to body(b).

Step 13.



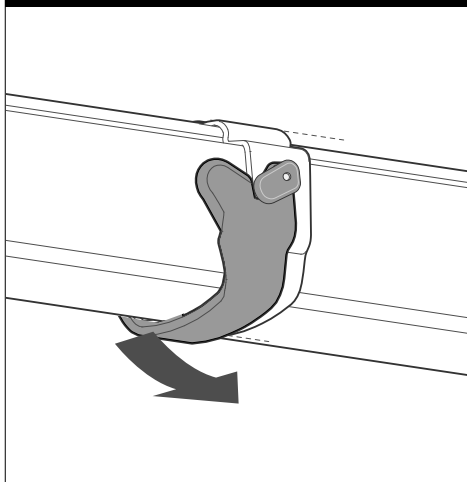
Fix Torx Screws (g) on both sides of luminaire.

Step 14. If continuous run



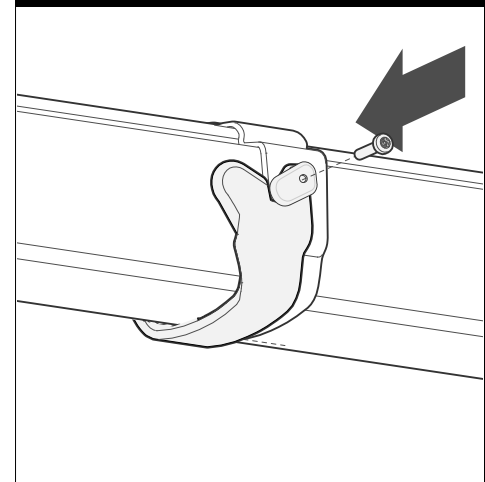
Align second body(b) and push male plug of first body(b) to female plug.

Step 15. Continuous



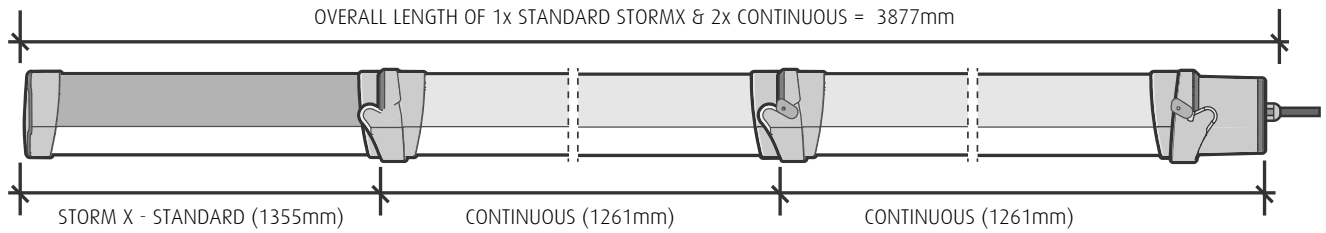
Push down lever and lock in.

Step 16. Continuous

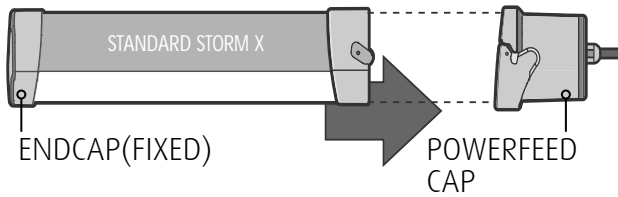


Fix Torx Screws (g) on both sides of luminaire.

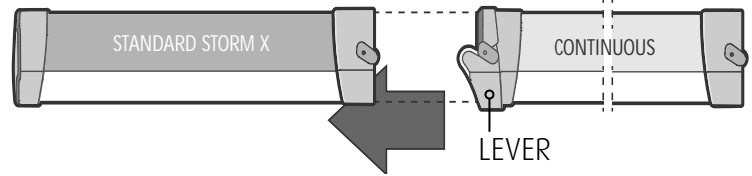
DIAGRAM A. OVERVIEW OF CONTINUOUS STORM X ARRANGEMENT.



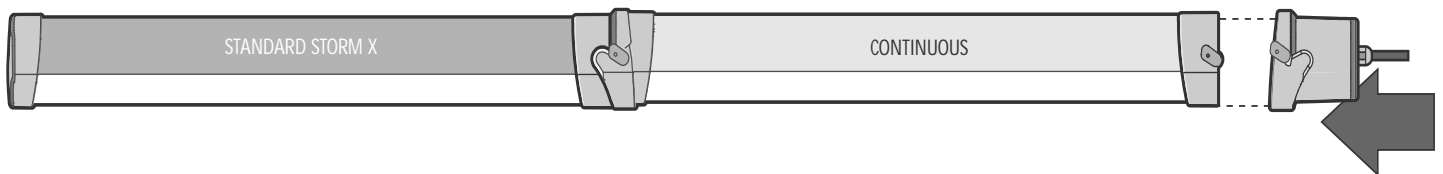
STAGE 1. REMOVE POWERFEED CAP & CONNECT POWER.



STAGE 2. ADD DESIRED AMOUNT OF CONTINUOUS LENGTHS*



STAGE 3. COMPLETE BY RECONNECTING POWERFEED CAP.



NOTE:

MAXIMUM AMOUNT OF CONTINUOUS LENGTHS **15.

MAINTENANCE:

CLEAN LUMINAIRE AND PLASTIC COMPONENTS WITH LIGHT SOAPY SOLUTION, THEN TREAT WITH STATIC INHIBITOR.